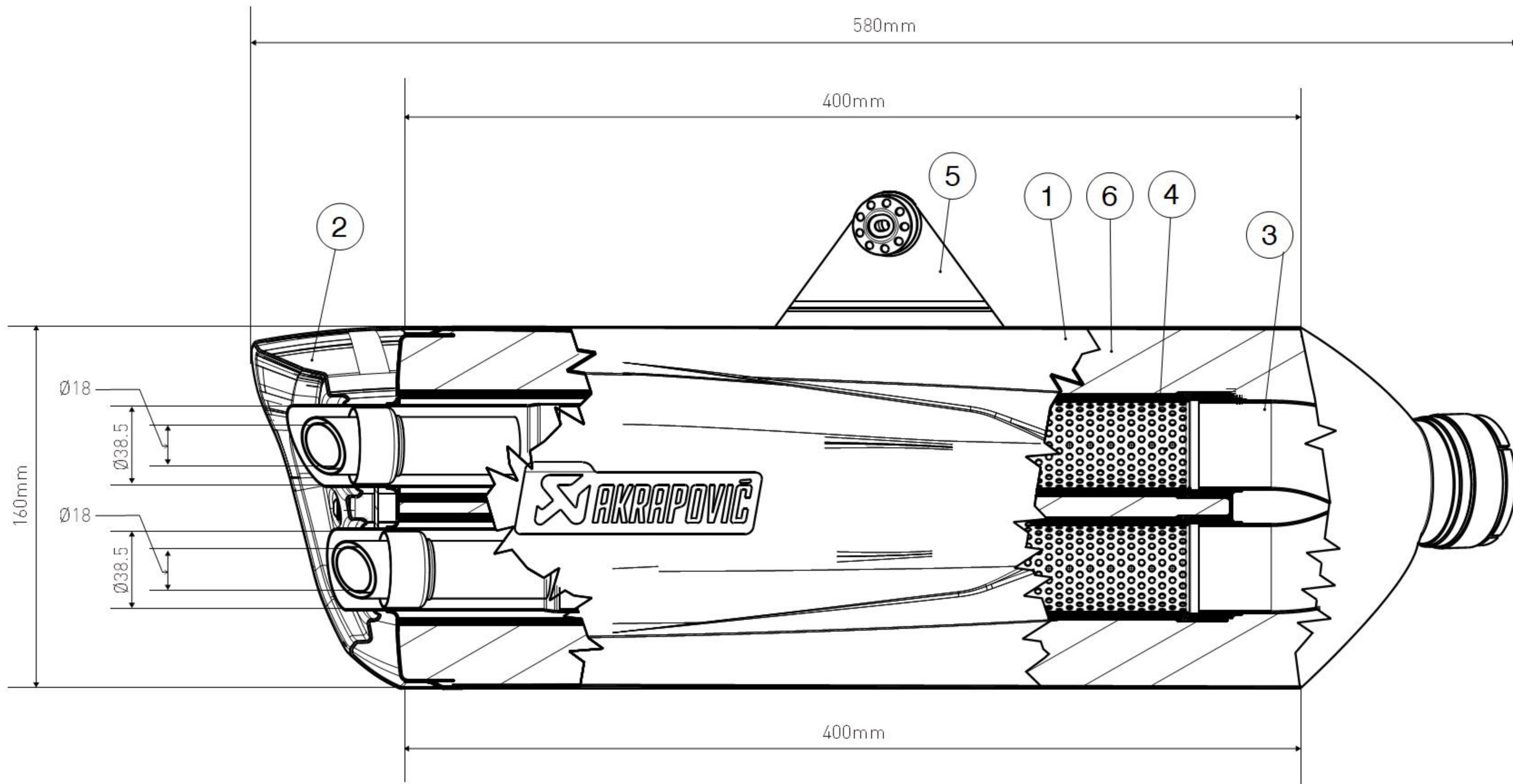


NOTE: EC TYPE APPROVAL IS VALID ONLY WHEN CATALYTIC CONVERTER IS INSTALLED.

MUFFLER REPAIR KITS	
REPACK	26
SLEEVE	27

No.	SalesCode	Description	Qty.
1	S-Y5R9-HILT	racing system	1
2	M-HIL00102T	muffler	1
3	P-TT93	belt TI for TI sleeve	1
4	V-EC395	end cap	1
5	P-HST4ALMONO	sticker mono AL	1
6	L-Y5R8Y	link pipe SS	1
7	H-Y5R1	header set SS	1
8	C-Y5R3/1	link pipe SS	1
9	P-S1/2	spring	4
10	P-HSY5R1Y	heat shield (carbon)	1
11	P-FN4	nut	1
12	P-DR4	washer SS	2
13	P-DR121	spacer bushe SS	1
14	P-DR119	spacer bushe AL	1
15	P-GUV002	rubber insert	2
16	P-DR120	spacer bushe AL	1
17	P-FB148	bolt	1
18	P-R32	clamp SS	1
19	P-FB157	bolt	2
20	P-DRH2/BAR316	washer SS	4
21	P-LT1	screw sealant	1
22	P-DR158	spacer bushe AL	1
23	P-FN1	nut	1
24	P-R162	clamp	1
25	P-KAT-083	catalytic converter	1
26	P-LBSB4	lambda plug	1
27	P-RPCK296	muffler repack kit	1
28	P-RKS730IL400	muffler sleeve kit	1
29	V-TUV333	insert SS	2



Pos.	Description
1	Outer Sleeve
2	End cap set
3	Rosete and collector assembly
4	Perforated tube
5	Bracket
6	Damping material