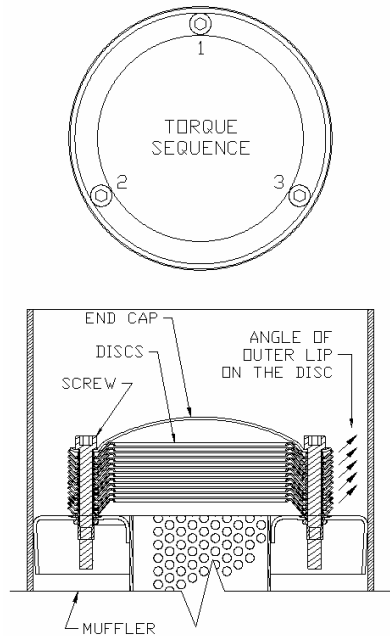


3" DISC INSTALLATION

END CAP & DISC INSTALLATION:

1. Stack the recommended amount of discs with the end cap together aligning the three screw holes. Orient the discs so the flat surface of the discs will be against the core with the outer lip angled away from the core. (SEE DIAGRAM)
2. Insert the (3) screws through the end cap and disc stack and apply the high temp lube, supplied, to the threaded end of each screw.
3. Insert the entire assembly into the muffler using the supplied T-handle hex key, inserted into one screw head, as a handle. Align the (3) screws with the threaded inserts in the core. (SEE DIAGRAM)
4. Tighten the screws evenly in a cross pattern, SEE DIAGRAM. Discs should be tightened to 15-25 in/lbs or once the screw head contacts the end cap tighten 2 full turns.



4" & 5" DISC INSTALLATION

END CAP & DISC INSTALLATION:

1. Stand the muffler on the bench with the outlet end pointing up.
2. Place the appropriate amount of discs and end cap on the outlet of the muffler. The flat surface of the discs should be against the core with the outer lip angled away from the muffler. Align the (6) screw holes with the threaded inserts in the muffler outlet. (SEE DIAGRAM)
3. Insert the screws through the end cap and discs and into the threaded inserts in the muffler outlet. (SEE DIAGRAM)
4. Tighten the screws evenly in a cross pattern, SEE DIAGRAM. 4" discs should be tightened to 15-25 in/lbs and 5" discs to 40-50 in/lbs or once the screw head contacts the end cap tighten 2 full turns.

