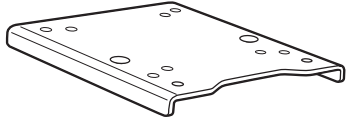


# SHAD

## ZONTES 310 M '21 TOP MASTER ZOM311ST



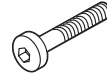
1 262785 x1



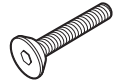
2 261121 x4  
Ø20 Ø11 x18



3 303045 x2  
Ø8



4 304272 x2  
M8 x 35 DIN 7380



5 304088 x2  
M8 x 35 DIN 7991

### ! WARNING!

- Compatible with Small (D1B29PA) & Medium (D1B40PA) mounting plates. (NOTE): Compatible with TOP CASES SH26 – SH47 only.  
- ATTENTION: top fitting not compatible with aluminium mounting plate (D1BTRPA) or Large mounting plate (D1B481PA).

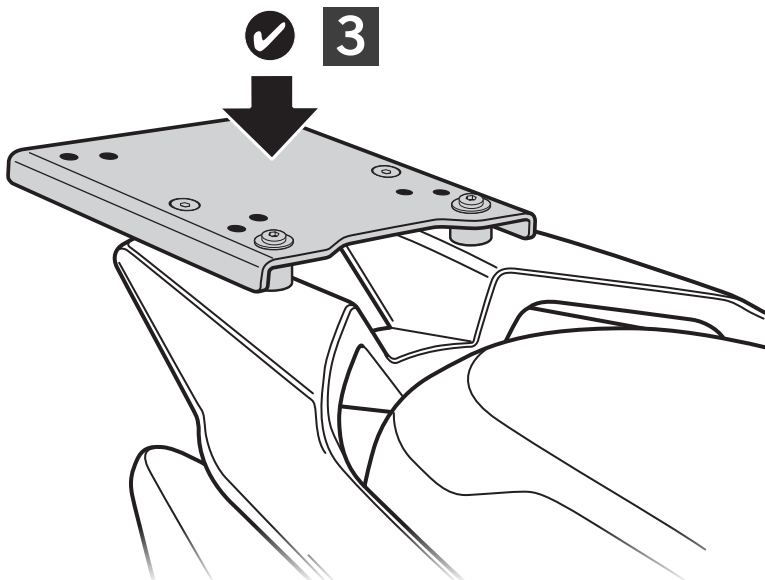
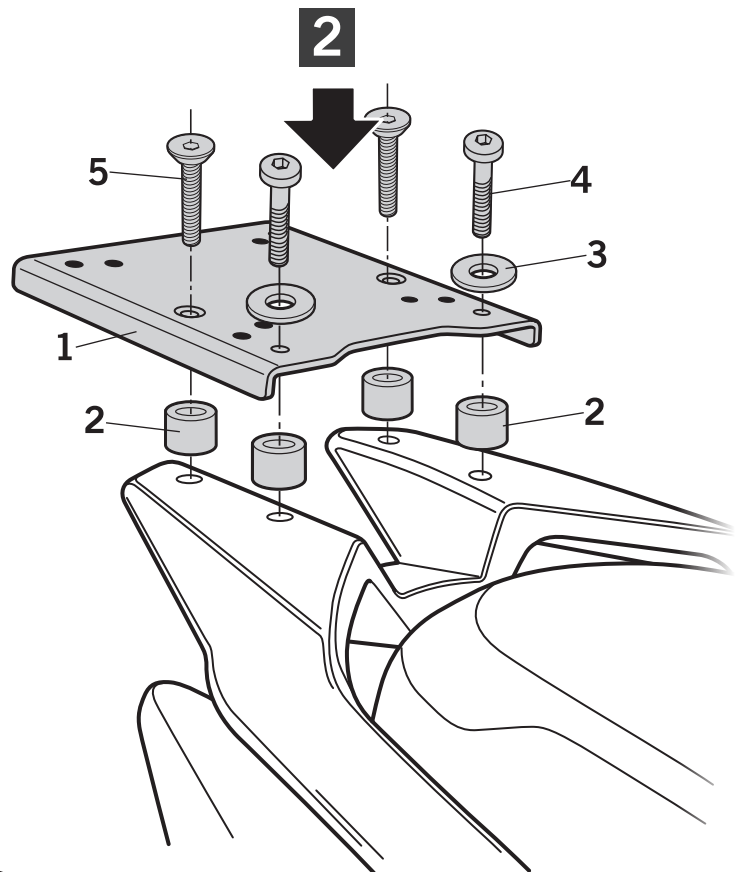
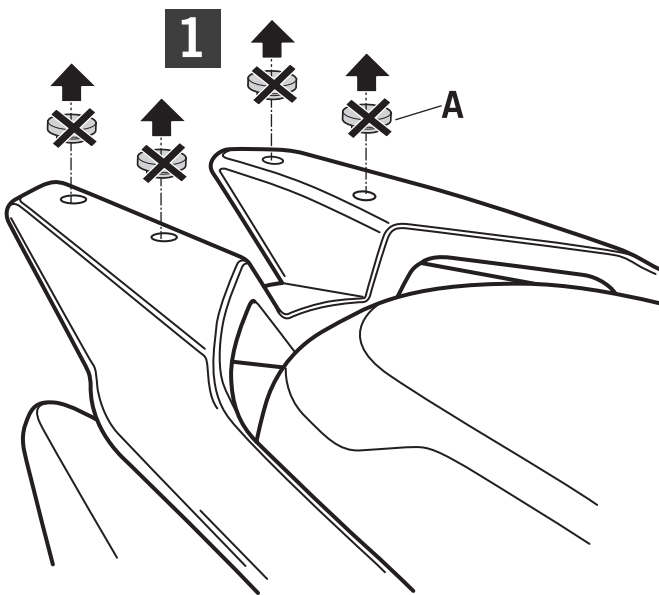
**GB** Do not fully tighten the screws until it is ensured that the KIT is correctly attached and aligned.

**E** No apretar los tornillos del todo hasta asegurarse que el KIT está correctamente colocado y alineado.

**D** Ziehen Sie die Schrauben nicht ganz fest, bevor Sie sich nicht vergewissert haben, daß der Bausatz korrekt eingestellt und ausgerichtet ist.

**I** Non stringere del tutto le viti fin tanto non si è sicuri che il kit è collocato correttamente e allineato.

**F** Ne pas serrer les vis avant d'être sûr que le KIT soit correctement positionné et ajusté.



[www.shad.es](http://www.shad.es)

REF. 500479 Edición 1ª

**IMPORTANT:** Based on European models.  
For compatibility with models in other continents,  
check [www.shad.es](http://www.shad.es)