

SHAD

ENGINEERED FOR RIDING



USER GUIDE

COMBINATION LOCK

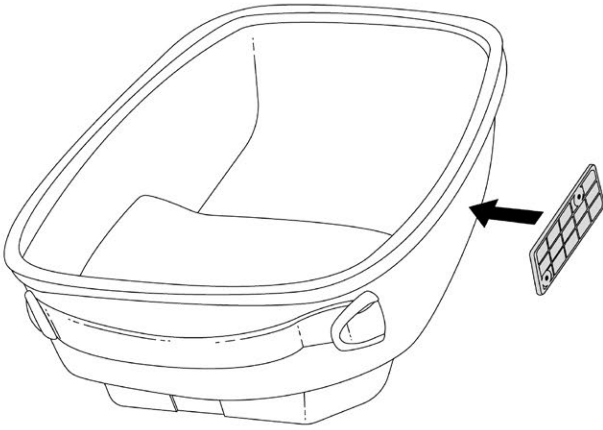
X1SESTCL

WWW.SHAD.ES

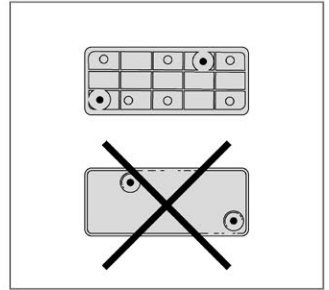
ASSEMBLY

#	Piece	Quantity
1	Combination lock	1
2	Plate	1
3	Screw 3x12	2

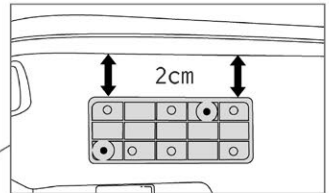
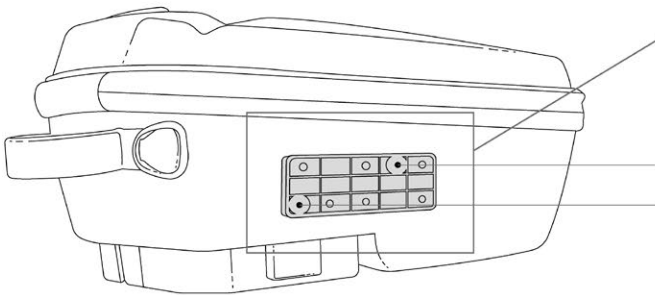
1



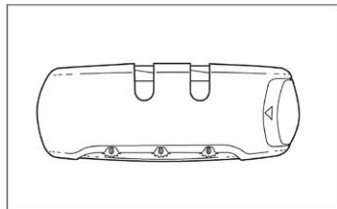
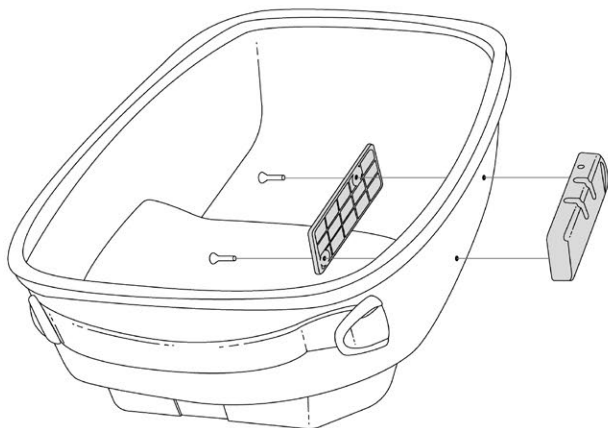
WARNING! 



2



Ø 3 mm

3**WARNING!** 

PH2

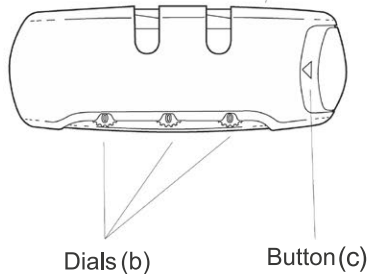
Reset button (a)

Security lock

The original number is 0-0-0; To set your personal combination, follow these steps.

1. Put the dials at its original number 0-0-0;
2. Press down the reset button (a) with a tool until you hear the "click" sound.
3. Set your combination by turning the dials (b) for example 8-8-8. Then.
4. Push the button (c) towards the direction of arrow and the reset button (a) will be back when you hear the "click" sound.

Now you have finished setting your personal combination.
Please remember it by heart.



DESIGNED IN BARCELONA

Since 1973**SHAD EUROPE** NAD SA
HEADQUARTERS

T: (+34) 935 795 866
Octave Lecante, 2-6
Mollet del Valles, 08100
Barcelona - Spain

SHAD CHINA

T: (+86) 21 6236 5730
Room 501 (Zone 1-T3),
No.1, Lane 268, Tai Hong Road,
MinHang District, 201107
Shanghai - China

SHAD USA

T: (+1) 305 652 6366
19096 NE 4th Court
Miami FL, 33179
USA

SHAD INDONESIA

T: (+62) 21 2271 8560
Jl. Kemang Selatan VIII No.56 Unit B
Jakarta 12730 Indonesia

WWW.SHAD.ES



WE ARE
DOING
GREEN

RESOURCE REDUCTION
60% SELF SUSTAINING FACTORIES
1200 TREES PLANTED 🌲🌲🌲



ISO 14001:2015



WWW.SHAD.ES