

SHAD

SH58X

SH59X
Adventure

USER GUIDE



Daily

From your early mornings
until your late nights



Weekend

For your non-stop getaways



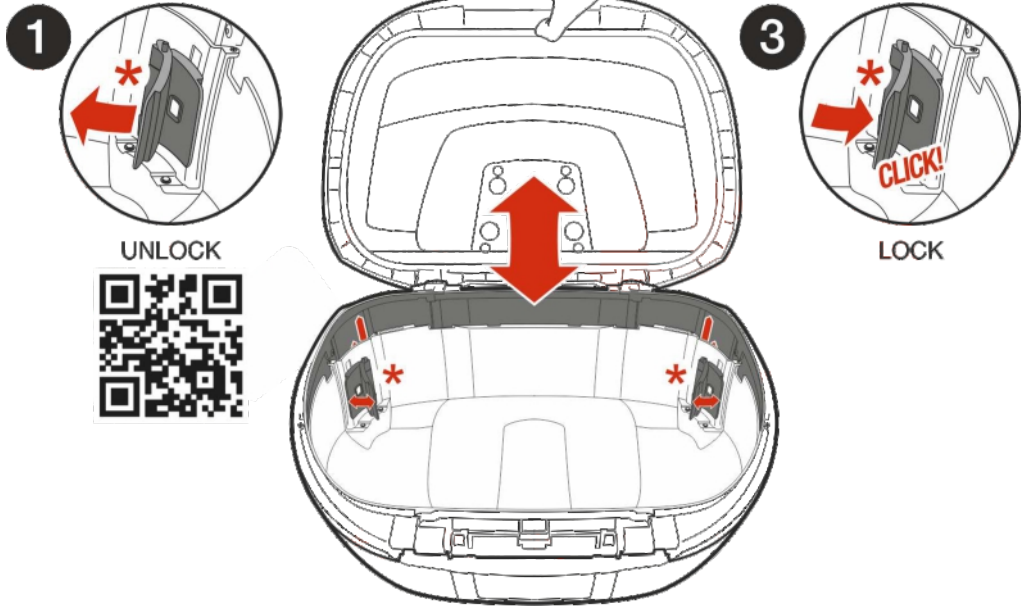
Holidays

Conquer your next adventure

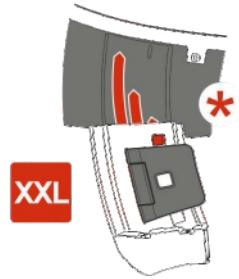
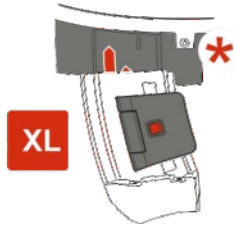
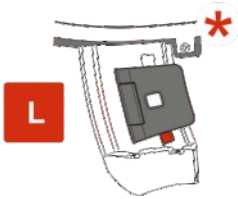


WWW.SHAD.ES

EASY TO EXPAND



3 POSITIONS:



CARE AND MAINTENANCE



1 M. MINIMUM DISTANCE WITH POWER WASHER.



MAXIMUM WEIGHT.
(SH26, SH29, SH33, SH34)



ALWAYS SECURE AND LOCK PRODUCTS.

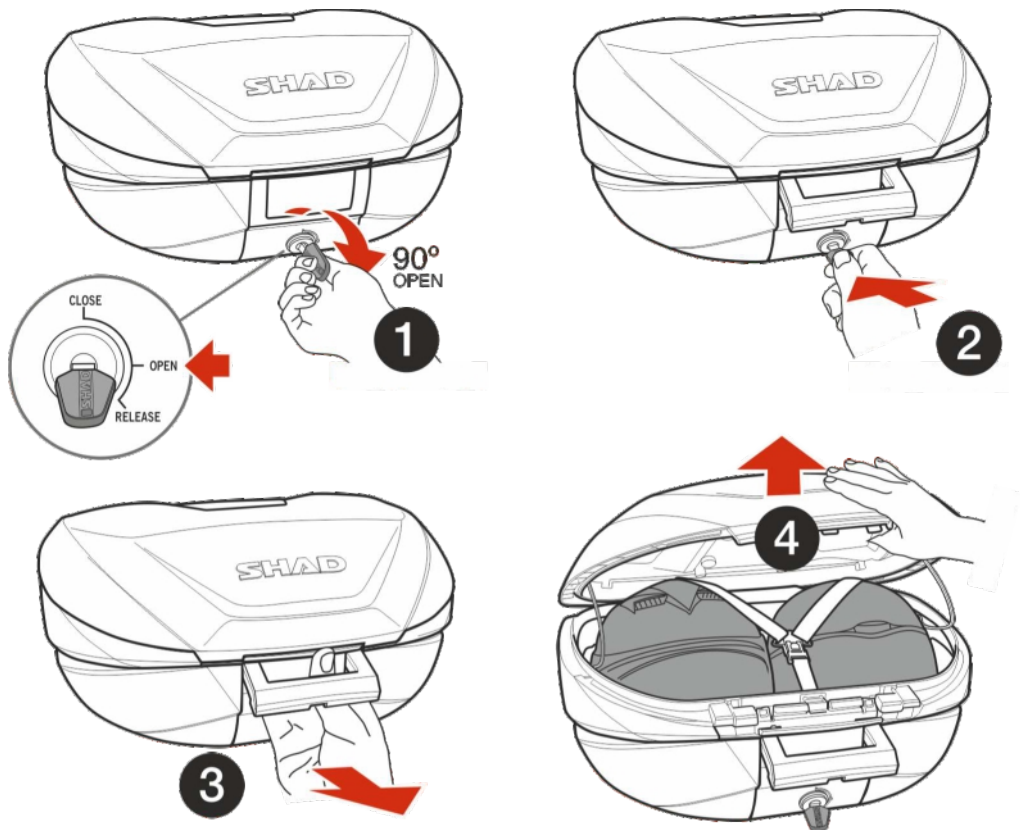


CASES ARE NOT DESIGNED TO PROTECT FRAGILE OBJECTS.

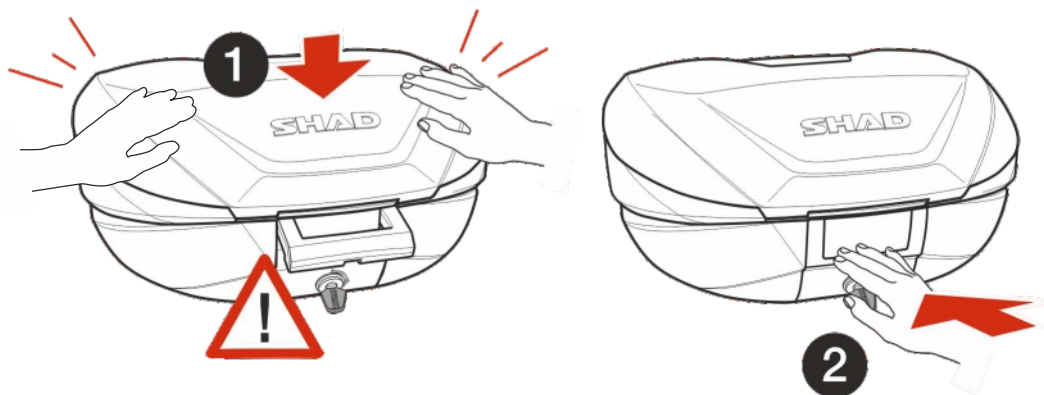


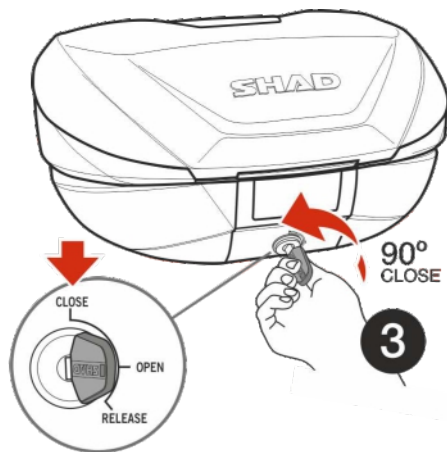
MAXIMUM SPEED, CHECK LOCAL LAWS.

OPEN

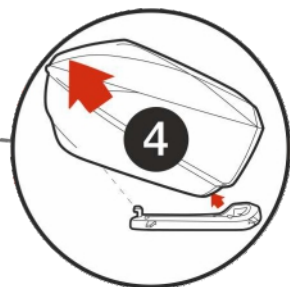
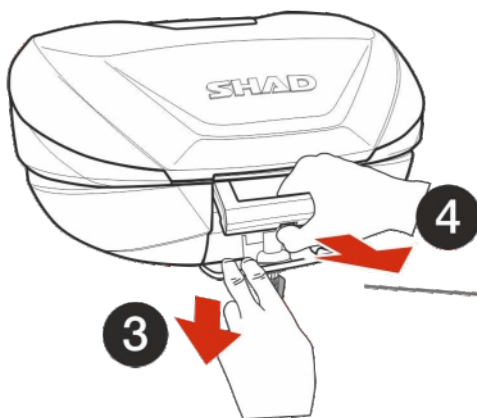
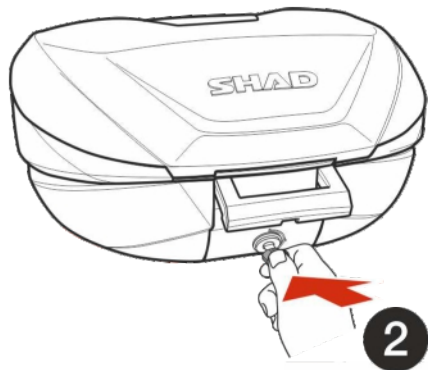
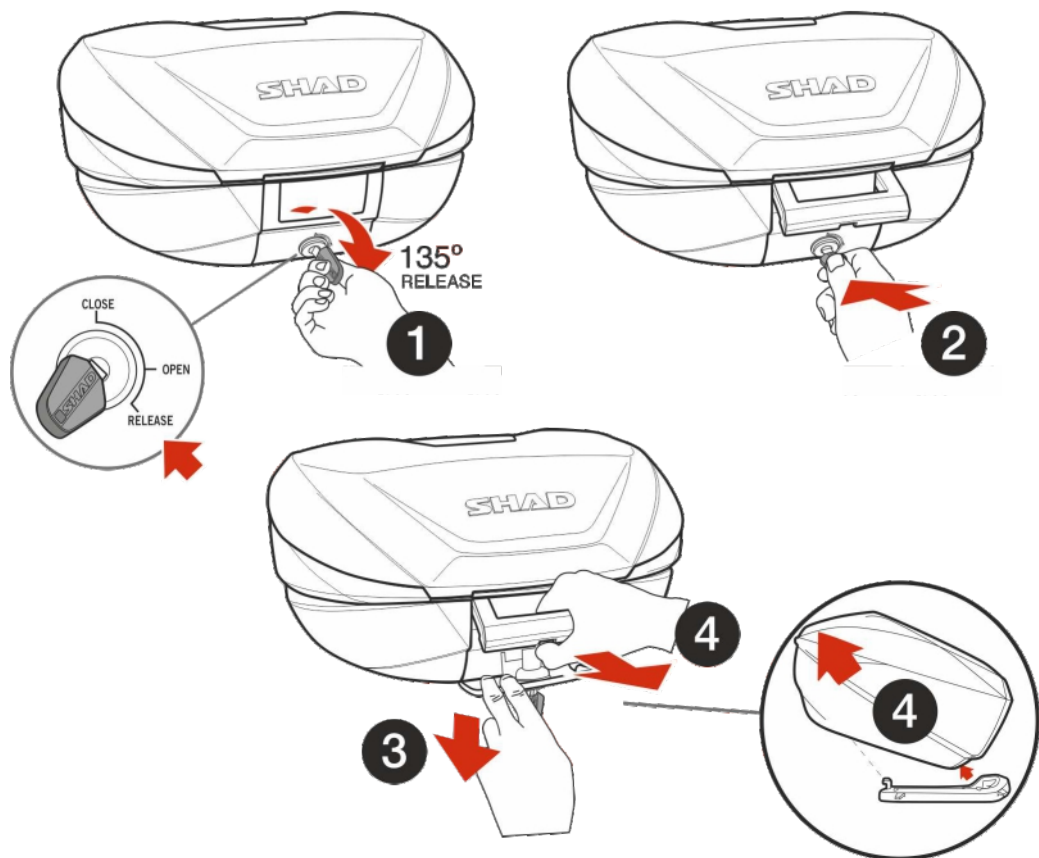


CLOSE





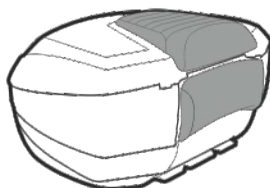
RELEASE



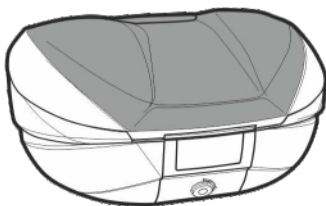
ACCESSORIES (OPTIONAL)



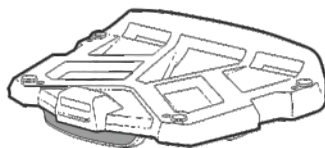
INNER BAG
Ref. X01B10



BACKREST
Ref. D0R180



COLOUR COVER
SH58X
Ref. D1B58EXX



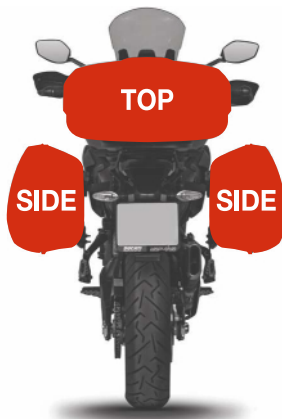
BRAKE LIGHT
Ref. D0B29KL

FAQ'S AND MORE INFORMATION

SH58X



One key

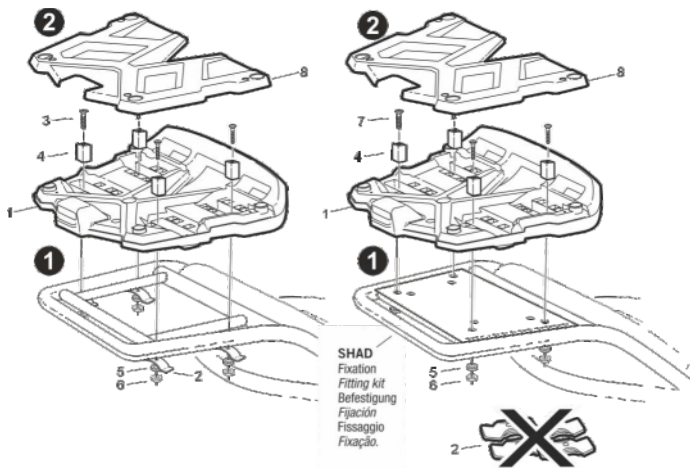


SH59X

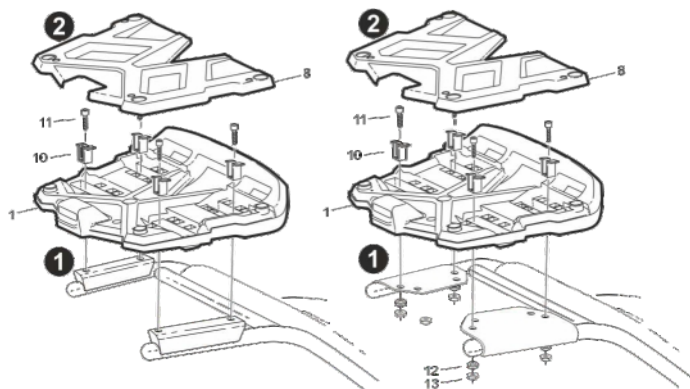


For three cases

TOP CASE SUPPORT ASSEMBLY



Number	Reference	Quantity
1	201834 (Support piece)	1
2	201049 (Bridle)	4
3	304144 (Screw M6x40 DIN 965)	4
4	200713/2 (Plastic bridle)	4
5	303000 (Ø6 Washer fs M6 DIN 125 A)	4
6	302021 (M6 Nut M6 DIN 985)	4
7	304058 (Screw M6x30 DIN 965)	4
8	201835 (Cover support piece)	1
9	304127 (Screw Ø3'5x13 DIN 7982)	4
10	201504 (Metal piece) *	4
11	304074 (Screw M8x20 DIN 912) **	4
12	303020 (Ø8 Washer fs M8 DIN 125 A) **	4
13	302024 (Nut M8 DIN 985) **	4



IMPORTANT
WARRANTY INFO: WWW.SHAD.ES

SHAD
WWW.SHAD.ES

Po,I, Ind. Can Magarola
Octave Lecante, 2-6
08100 MOLLET DEL VALLÈS
BARCELONA (SPAIN)

Espana 0034 935 795 860
France 0034 935 795 868
World 0034 935 795 867
Fax: 0034 935 796 945
info@shad.es