

Installation Instructions micro Rhombus DF/DF Dark

Indicator with rear light and brake light for motorcycle

Dear customer,

Thank you for choosing Kuryakyn. Please read and understand these instructions before deciding whether you would like to do the installation yourself or have it done by a professional.

All Kuryakyn by Kellermann lighting products are ECE-approved for motorcycles as documented by the approval mark engraved into the housing or lens. This means that you may use the products instead of the original turn signals without any entry in your vehicle documents or presentation to a vehicle inspection organization. **You do not need to carry any documentation with you. This applies to all motorbikes licensed under EU law and the corresponding lights. Certificates are available at www.Kuryakyn.com.**

ATTENTION! Kuryakyn by Kellermann lighting is not DOT or FMVSS #108 compliant.

ATTENTION! The warranty will not apply if the turn signal has not been correctly installed or connected to the electrical supply on your motorcycle. Do not carry out the installation unless you are qualified to do so; otherwise, leave the installation and connection work for your indicator to a qualified repair shop. The warranty does not apply to damage due to wrong connection or excess voltage (such as due to a defective alternator regulator).

ATTENTION! Improper mechanical installation or orientation of turn signals may invalidate your motorcycle's roadworthiness and insurance protection, or even lead to accidents. Before every usage of your vehicle, check whether the indicators are correctly mounted and fully functional.

ATTENTION! Your turn signals may heat up during use. Contact with bare skin or heat-sensitive objects may lead to damage or injury.

ATTENTION! Voltage – 19v Max. Over voltage voids warranty

Motorcycles with voltage peaks can damage Kuryakyn by Kuryakyn by Kellermann products. The problem can be solved easily by installing suppressor diodes. Verify before installation that your vehicle's electrical system operated in a normal 12-15 v range with no peaks that exceed 19 v.

Warranty is void if operating with over-voltage.

ATTENTION! Each micro Rhombus DF/DF Dark is fitted with a vibration-absorbing, elastic fastening arm (silent rubber adapter). This wearing part is designed to protect your micro Rhombus DF/DF Dark from damage at slight deflections of up to 15°. The adaptor will break on larger deflections, such as from a crash or vandalism, to prevent breakage to your valuable indicator; the rubber will overstretch and tear, or the inside will sustain so much damage that it may fail at a later time. In this case, you may order a new silent rubber adapter as a spare part.

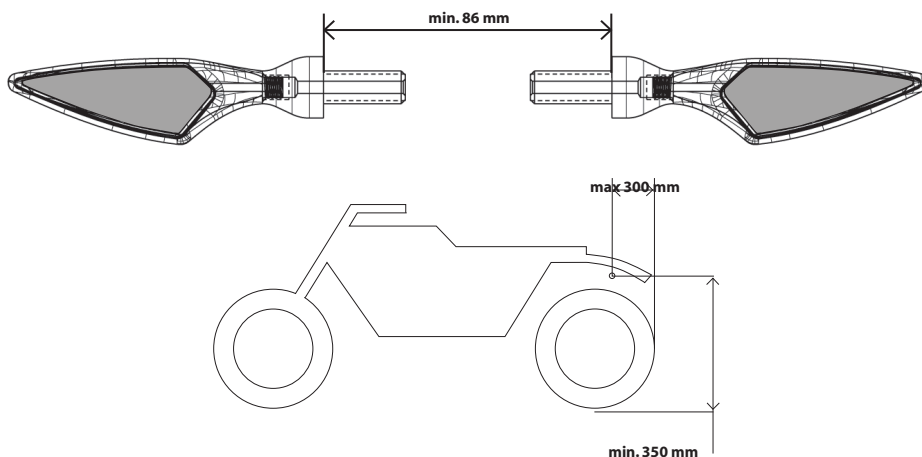
CLEANING ADVICE! Your new Kuryakyn by Kellermann products are premium-quality products. In order to enjoy them long time and maintain the warranty we recommend not to use any cleansers with alkaline/acid and/or grinding substances or steel wool. We also advise not to use steam cleaners.

INSTALLATION

ATTENTION! Make sure that your motorcycle is standing firmly before you start work, as a fall may lead to damage to the motorcycle or injury to you or others.

Remove existing indicators. Mount the micro Rhombus DF/DF Dark turn signals by fabricating a bracket or by drilling a 11/32" diameter hole. Fasten the turn signal at 70.81 in-lbs (8 Nm) with the provided nut. Make sure that the area where the wires emerge is protected from splash water. Mount the turn signal in such a way that the beams run horizontally in your bike's direction of travel. Proper alignment is important for your safety in traffic, as a bike with incorrectly aligned lights is easy to overlook on the road.

If living in a country that requires ECE compliance, refer to the following measurements for selecting your mounting location:



Refer to the 93/92/EWG guideline available at www.eur-lex.europa.eu for further mounting regulations.

ELECTRICAL CONNECTION

Cut the wires of the existing turn signals between the turn signal and the connector, allowing enough slack in the wire for the connection of the new indicator. By doing this the wiring harness stays untouched. Find the circuit diagram to the original wires in the wire harness for your bike and connect them to the micro Rhombus DF/DF Dark as follows:

- Connect the black wire of the turn signals to the ground wire of the original tail/brake lights.
- Connect the grey wire of the turn signals to the positive wire of the wiring harness.
- Connect the grey and white wire of the turn signals to the positive wire from the tail light (rear running lights).
- Connect the grey and red wire of the turn signals to the positive wire from the brake light.

To connect the wires of the indicator to the wires of the original connector use the provided crimp connectors and shrink tubings. First push one of the shrink-on tubes over one of the wires you want to connect and remove 1/4" of insulation on the end of each cable. Then push both bare ends of the wire into a crimp connector and crimp it with an appropriate tool. Then pull the shrink-on tube over the connection and heat it up equally until it fits tight over the complete length of the connector.

Test the function of the turn signals.

Route the cables in a way that they are protected from splash water and fasten them using zip ties.

This completes the installation.

INDICATOR FLASH RATE

The flashing frequency can change when converting the original indicators. The installation of a load-independent flasher relay (e.g. R 2) or a multifunction assistance system (e.g. CR 4th) will solve the problem. If the installation is not possible or not favored, then parallel connected power resistors (iLOAD) will be an option.

ATTENTION! The power resistors will become very hot after long-term usage of the turn signals. Make sure that no components are damaged by this heat.

We are happy to answer any questions you may have with regards to converting your indicators, we are certain we can help you.

If you are not sure which electronic equipment you require, please contact us via <http://www.kuryakyn.com>, info@kuryakyn.com, or call us: **886-277-9598**.

ATTENTION! Before each use of the vehicle, check the functionality of the turn signals.

The Kuryakyn by Kellermann micro Rhombus DF/DF Dark is equipped with the tried-and-trusted **Longlife Protection Guard**[®] circuit, which ensures extremely long life with LED technology. It is not necessary to replace the illuminate and, due to the laws for device approval, it is not allowed.