

Copyright © 2021 by Big Bike Parts, Inc. No part of this instruction sheet may be reproduced without the written permission of Big Bike Parts, Inc.

PART NO. 52-965

FOLDING FLAG POLE

FITMENT: HONDA GOLDWING/GOLDWING TOUR 2018-NEWER

REVISED 1/7/2021

TOOLS NEEDED:	RUBBING ALCOHOL	CLEAN LINT FREE RAG	DRILL	1/4" DRILL BIT	4MM ALLEN WRENCH
	REMOVABLE THREAD LOCK	MASKING TAPE	PENCIL	5MM ALLEN WRENCH	

**PLEASE READ THROUGH AND UNDERSTAND THESE INSTRUCTIONS BEFORE BEGINNING. USE REMOVABLE THREAD LOCK WHEN INSTALLING ALL SCREWS. ESTIMATED INSTALLATION TIME: 20 TO 40 MIN.**

TEMPLATES AVAILABLE ONLINE AT [HTTP://BIGBIKEPARTS.COM/TEMPLATES/PRODUCT.ASPX?PRODUCTGUID=52-965&GROUPGUID=16](http://bigbikeparts.com/templates/product.aspx?productguid=52-965&groupguid=16)

**NOTE: TEMPLATE MUST BE PRINTED TO SCALE. THERE IS A 1 INCH BY 1 INCH SQUARE TO CHECK THAT THE TEMPLATE IS THE CORRECT SIZE.**

**INSTALLATION:**

1. OPEN THE TRUNK LID.
2. STARTING ON THE RIGHT SIDE OF THE BIKE, PLACE A PIECE OF MASKING TAPE ON THE TRUNK SIDE PANEL AS SHOWN IN FIG. 1.
3. CHECK THAT THE TEMPLATE IS TO SCALE USING THE 1 INCH BY 1 INCH SQUARE. IF IT DOES NOT MEASURE TO SCALE, ADJUST THE PRINT SCALE UNTIL IT MEASURES CORRECTLY. USING A TEMPLATE PRINTED NOT TO SCALE WILL CAUSE THE HOLES TO NOT BE CORRECT.
4. CUT OUT THE TEMPLATE INCLUDING THE CENTER OF THE TWO HOLE LOCATIONS. (**CENTER OF HOLE LOCATIONS ONLY NEED TO BE CUT ENOUGH TO BE ABLE TO MARK THE HOLE CENTER POINTS THROUGH THE TEMPLATE.**)
5. PLACE THE TEMPLATE ON THE TRUNK AND MARK THE CENTER POINT FOR THE TWO HOLES TO DRILL (FIG. 2). **NOTE: THIS TEMPLATE IS FOR REFERENCE ONLY AS THIS FLAG POLE CAN BE MOUNTED IN MANY ORIENTATIONS/LOCATIONS. BE SURE HOLE LOCATIONS MARKED ARE ACCURATELY PLACED BEFORE DRILLING.**
6. REMOVE THE TEMPLATE
7. USING A 1/8" BRAD POINT DRILL BIT, DRILL TWO 1/8" HOLES ON THE MARKS FROM STEP 3 (FIG. 3) THROUGH THE TRUNK SIDE PANEL TO THE INSIDE OF THE TRUNK (BBP RECOMMENDS USING A BRAD POINT DRILL BIT WHEN DRILLING PLASTIC TO AVOID DAMAGING OR BREAKING THE PLASTIC PANELS.)
8. REMOVE THE MASKING TAPE AND ANY BURS FROM DRILLING.
9. REMOVE THE FLAG POLE COMPONENTS FROM THE PACKAGING.
10. USE RUBBING ALCOHOL AND A CLEAN LINT FREE RAG TO CLEAN THE OUTSIDE SURFACE OF THE TRUNK WHERE THE FLAG POLE MOUNT WILL BE INSTALLED (FIG. 3).
11. FROM THE INSIDE OF THE TRUNK, PLACE THE FLAT BRACKET IN POSITION USING THE TWO SUPPLIED M6 SCREWS (FIG. 4).
12. CAREFULLY APPLY A SMALL DROP OF REMOVABLE THREAD LOCK TO EACH THREADED HOLE ON THE FLAG POLE MOUNT. **BE SURE THREAD LOCK DOES NOT COME IN CONTACT WITH THE PLASTIC PANELS OR DAMAGE MAY OCCUR.**
13. REMOVE THE BACKER FROM THE DOUBLE SIDED TAPE ON THE FLAG POLE MOUNT (FIG. 5). (**BE SURE NOT TO TOUCH THE ADHESIVE ON THE DOUBLE SIDED TAPE BEFORE INSTALLING THE FLAG POLE MOUNT IN PLACE**)
14. CAREFULLY START THE TWO SCREWS FROM STEP 9 IN THE FLAG POLE MOUNT (FIG. 5) TO POSITION THE MOUNT. (**DO NOT LET DOUBLE SIDED TAPE TOUCH THE TRUNK YET**)
15. WITH BOTH SCREWS STARTED IN THE FLAG POLE MOUNT, PRESS THE MOUNT FIRMLY IN PLACE AGAINST THE TRUNK.
16. TIGHTEN THE TWO SCREWS TO SECURE. (DO NOT OVER TIGHTEN SCREWS OR THE PLASTIC PANELS MAY CRACK OR BREAK.)
17. INSTALL THE FLAG AND FOLDING FLAG POLE ON THE FLAG POLE MOUNT (FIG. 6). **USE REMOVABLE THREAD LOCK WHEN INSTALLING THE ACORN NUT AS WELL AS THE M8-1.25X20MM SCREW. (ENSURE ALL REMAINING HARDWARE IS SECURE. IF ANY HARDWARE BECOMES LOSE, ADDITIONAL THREAD LOCKER MAY BE APPLIED.)**
18. REPEAT STEPS ON LEFT SIDE IF INSTALLING 2 FLAG POLES.

FIG. 1

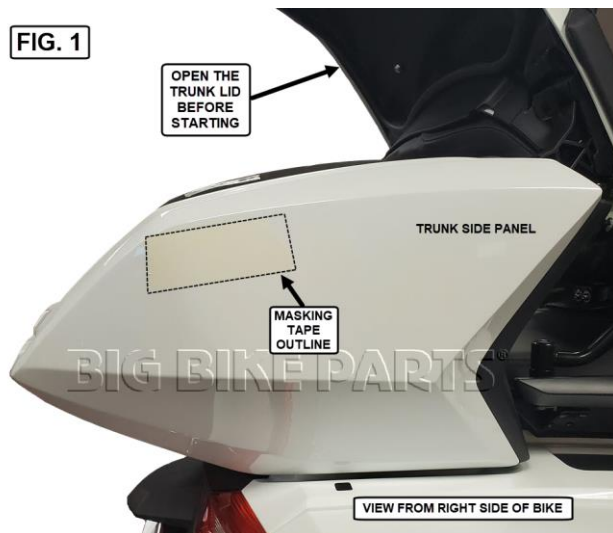


FIG. 2

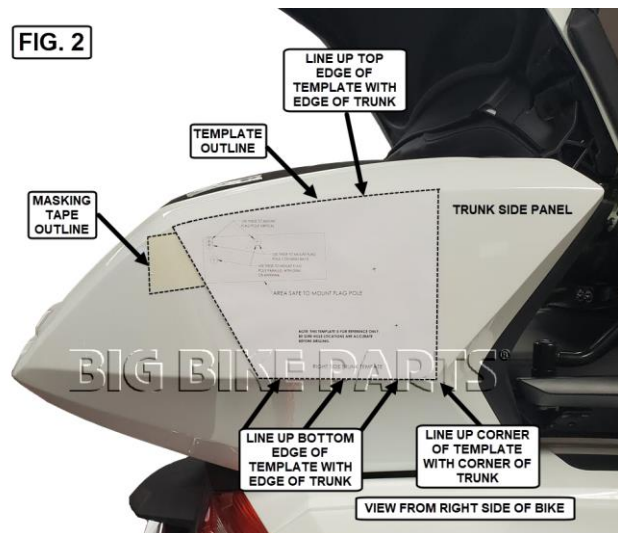
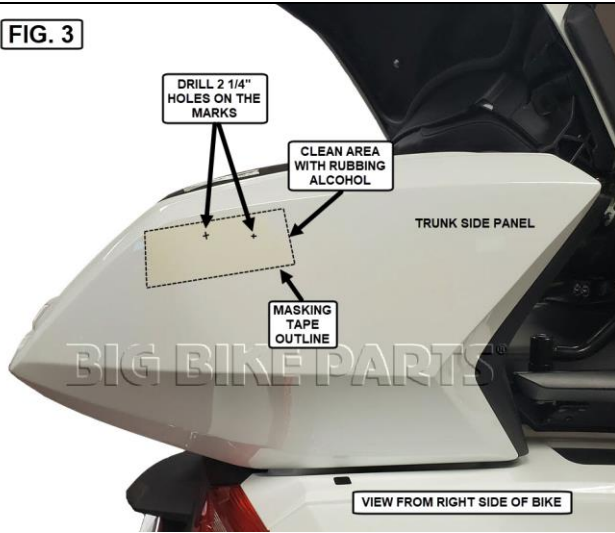


FIG. 3



BRAD POINT DRILL BIT

FIG. 4

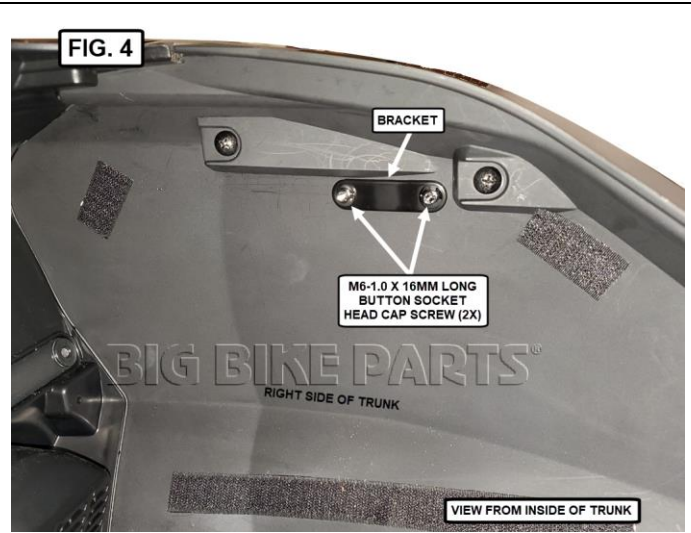
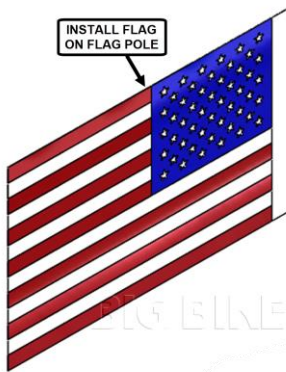


FIG. 6

INSTALL ACORN NUT WITH REMOVABLE THREAD LOCK



FLAG POLE MOUNT



INSTALL FOLDING FLAG POLE SO IT FOLDS FORWARD



### NOTICE

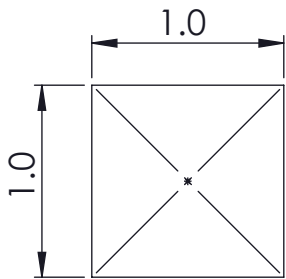
THIS IS AN ADHESIVE BACKED PRODUCT. CAUTION MUST BE TAKEN DURING INSTALLATION TO PROPERLY POSITION FOR ONE TIME PLACEMENT. REPEAT TRIALS WILL RESULT IN FAILURE OF THE ADHESIVE.

### NOTICE

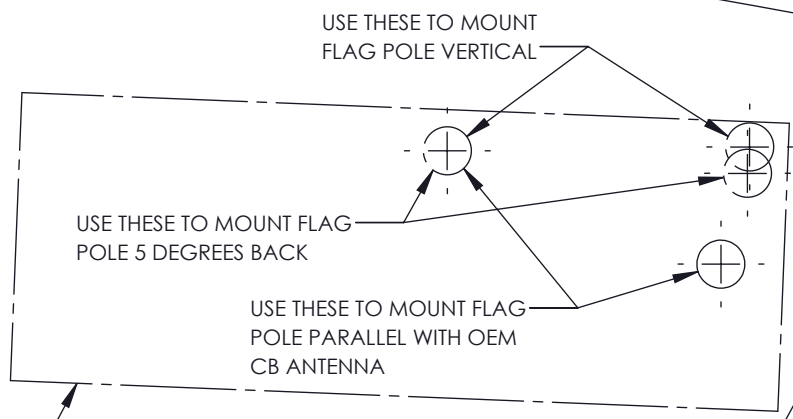
IGNORING THE CONTENTS OF THESE INSTRUCTIONS MAY AFFECT THE PRODUCT PERFORMANCE AND FUNCTIONALITY. NOT FOLLOWING THESE INSTRUCTION MAY CAUSE DAMAGE TO THE PRODUCT OR THE VEHICLE TO WHICH IT IS BEING ATTACHED.

## WARNING

THREADLOCK CAUSES PLASTICS TO CRACK, BREAK OR BECOME BRITTLE. WHEN USING THREADLOCK TO INSTALL HARDWARE WITH PLASTIC COMPONENTS, ONLY APPLY TO METAL COMPONENTS. IT IS CRITICAL THAT ANY EXCESS THREADLOCKER OR SPILLAGE IS CLEANED COMPLETELY FROM PLASTIC COMPONENTS IMMEDIATELY BEFORE DRYING. A DAMP TOWEL OR RAG IS THE BEST WAY TO ACHIEVE THIS. IF EXCESS THREADLOCKER IS NOT CLEANED UP RIGHT AWAY, IT COULD LEAD TO DAMAGED PRODUCTS AND VOID WARRANTY.



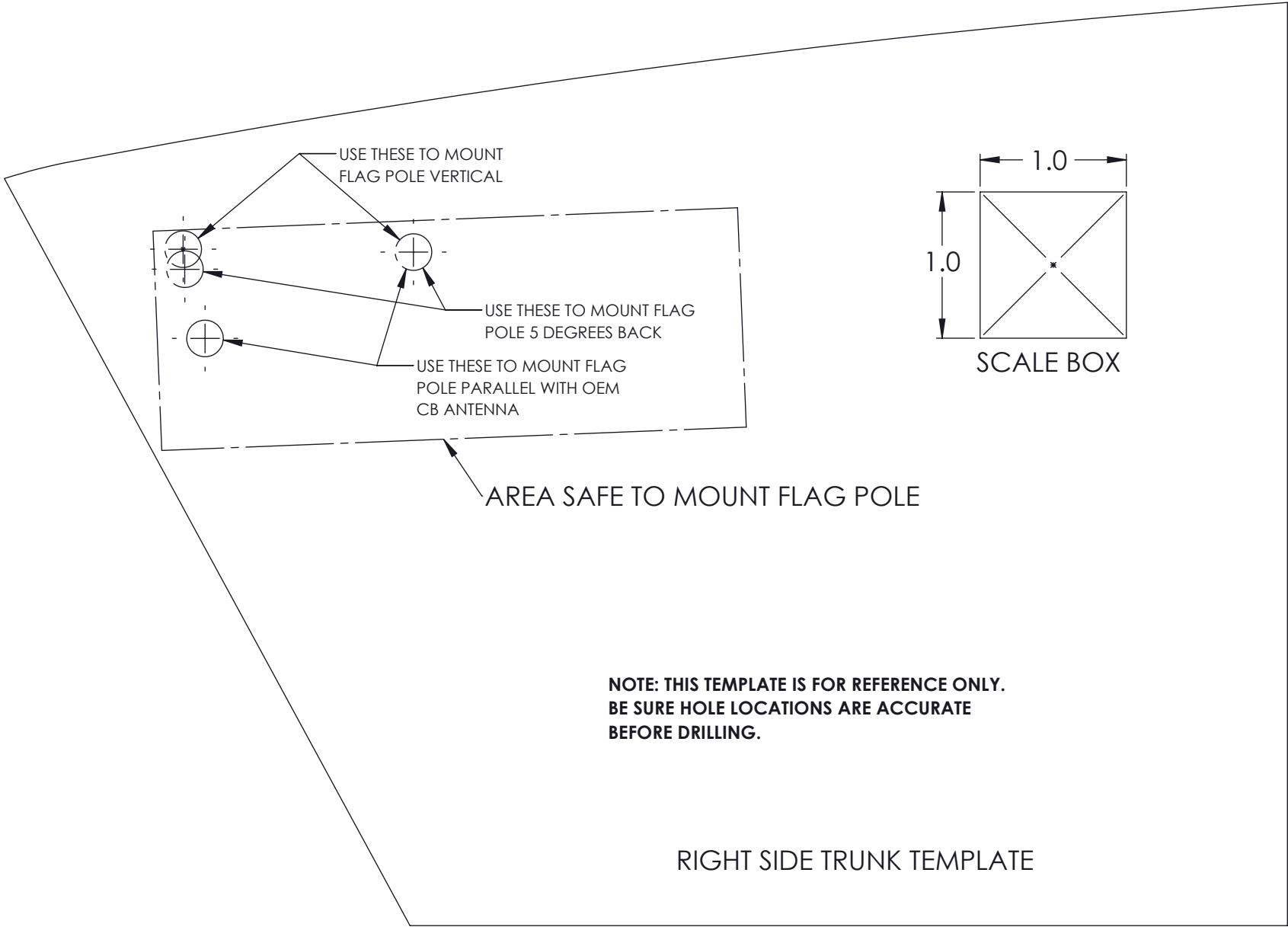
SCALE BOX



AREA SAFE TO MOUNT FLAG POLE

**NOTE: THIS TEMPLATE IS FOR REFERENCE ONLY.  
BE SURE HOLE LOCATIONS ARE ACCURATE  
BEFORE DRILLING.**

LEFT SIDE TRUNK TEMPLATE

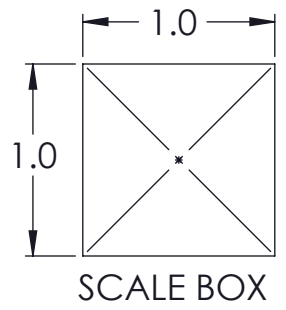


USE THESE TO MOUNT  
FLAG POLE VERTICAL

USE THESE TO MOUNT FLAG  
POLE 5 DEGREES BACK

USE THESE TO MOUNT FLAG  
POLE PARALLEL WITH OEM  
CB ANTENNA

AREA SAFE TO MOUNT FLAG POLE



**NOTE: THIS TEMPLATE IS FOR REFERENCE ONLY.  
BE SURE HOLE LOCATIONS ARE ACCURATE  
BEFORE DRILLING.**

RIGHT SIDE TRUNK TEMPLATE