



**AKRAPOVIC SLIP-ON EXHAUST SYSTEM**  
**for the**  
**YAMAHA YZF-R1**

**Congratulations on purchasing an Akrapovic exhaust system. Please read these installation instructions carefully. If you have any trouble installing the system please contact your authorized dealer!**

**IMPORTANT INFORMATION**

**Exclusion of Certain Liability**

1. The manufacturer, importer or dealer shall not be liable for any incidental damage including personal injury or any other damages caused by improper installation or operation of the Akrapovic exhaust system. When installing the Akrapovic exhaust system be careful that the exhaust system does not touch other parts sensitive to high temperature.
2. Akrapovic makes no representation or warranties with regard to damage caused by the improper installation, use and maintenance of the Akrapovic exhaust system. The warranty is limited to defects recognized by our technical department and to normal use, and excludes items subject to normal wear (gaskets and damping wool). The guarantee is void in case of accident, modification, improper or competition use.
3. Do not attempt to install the Akrapovic exhaust system on a motorcycle for which it was not made or tested by Akrapovic.
4. When the exhaust system gets very hot during operation, be careful not to burn yourself on the exhaust system or parts which are in direct contact with it, even when the motor is not running. Also protect other people, especially children, from the injuries mentioned above.
5. In some cases Akrapovic exhaust system kits contain chemical products (ceramic anti-seizing grease; bolt sealant). Handle with care, do not inhale or swallow. Avoid excessive contact with skin, eyes or mucous membranes. Keep out of reach of children.
6. Technical specifications of Akrapovic exhaust systems and related products subject to change without notice.

**Trademarks**

The Akrapovic Exhaust System Technology logo is a registered trademark of Akrapovic d.d.

**Akrapovic website**

Information about Akrapovic exhaust systems and related products is available on the Akrapovic website at:

**<http://www.akrapovic.com/>**

**Copyright**


No part of the Akrapovic exhaust system or its documentation may be reproduced or distributed in any form or by any means without the prior written authorization of the Akrapovic company.


© Akrapovic, d.d. All rights reserved.


**Symbols**

The following symbols are used throughout these installation instructions:



 **USE BOLT SEALANT;** Apply 3 to 4 small drops of bolt sealant onto the cleaned and degreased threads before tightening bolts. **WARNING! Avoid contact with skin, eyes and mucous membranes. Do not inhale fumes. Keep out of the reach of children.**

 **USE ANTI-SEIZING GREASE (white tube);** Prevents seizing, corrosion and excessive wear between the titanium components of your exhaust system. **WARNING! Avoid eye contact. Avoid excessive skin contact. Keep out of the reach of children.**

 **USE ANTI-SEIZE LEAD-FREE COPPER PASTE (black tube);** Provides trouble-free and long-lasting protection against seizing, corrosion and rusting of bolts, threaded ends, nuts, joints, etc. Also protects against vibration, wear and impact. **WARNING! Avoid eye contact. Avoid excessive skin contact. Keep out of the reach of children.**

## **INSTALLATION INSTRUCTIONS**

 BEFORE INSTALLING CHECK SCHEMATIC OF THE EXHAUST SYSTEM!

**!** IF ANY ITEMS IN THE AKRAPOVIC EXHAUST SYSTEM PACKAGE ARE MISSING PLEASE CONTACT YOUR AUTHORIZED DEALER. KEEP THE SCHEMATIC FOR FUTURE REFERENCE.

**!** THESE INSTALLATION INSTRUCTIONS MUST BE READ CAREFULLY IN ORDER TO ENSURE PROPER INSTALLATION AND OPERATION OF THE AKRAPOVIC EXHAUST SYSTEM.

**!** THE EXHAUST SYSTEM CAN BE EXTREMELY HOT. ALLOW THE MOTORCYCLE TO COOL DOWN BEFORE BEGINNING INSTALLATION.

 WE ADVISE YOU TO LEAVE INSTALLATION TO A QUALIFIED SERVICEMAN. IMPROPER INSTALLATION MAY RESULT IN A SHORTER LIFETIME OF THE EXHAUST SYSTEM AND/OR DAMAGE TO THE MOTORCYCLE.



T-handle 8mm wrench  
T-handle 12mm wrench  
T-handle 12mm swiveling wrench  
T-handle 4mm three hexagon key wrench  
T-handle 5mm three hexagon key wrench  
T-handle 6mm three hexagon key wrench  
Small cross head screwdriver  
Combination 14mm wrench

### **REMOVAL OF ORIGINAL EXHAUST SYSTEM:**

1. Put the motorcycle on a side stand, we recommend a racing stand. Make sure, that surface is solid and flat.
2. Unlock and remove the rear passenger's seat (**Figure 1**). Unscrew and remove the driver's seat (**Figure 2**). Unscrew the bolts and remove the original mufflers heat shields (**Figure 3**).



Figure 1



Figure 2



Figure 3

3. Unscrew the bolt and undo the plastic fasteners from the seat cowling (Figure 4, 5, 6, 7, 8). Unhook the cable for locking/unlocking the seat and remove the seat cowling (Figure 9).



Figure 4



Figure 5



Figure 6



Figure 7



Figure 8



Figure 9

4. Unscrew and remove the original link pipe heat shields and unhook the brake line (Figure 10, 11).



Figure 10



Figure 11

5. Unscrew the bolt from the link pipe metal clamp (Figure 12), the bolt from the muffler hanging bracket and remove the muffler. Perform the process on both sides of the motorcycle (Figure 13, 14).



Figure 12



Figure 13



Figure 14

6. **For optional Y link pipe only:** disconnect the stop switch electrical lead (Figure 15). Unscrew the bolts from the rider's footrest bracket and rear brake stop switch. **WARNING: do not disconnect the brake fluid tube!** (Figure 16, 17). Unscrew and remove the lambda sensor (Figure 18). **WARNING: make sure not to damage lambda sensor's electrical lead!** Unscrew and remove the metal clamp of the stock link pipe/header assembly joint (Figure 19), unscrew the bolt from the original link pipe metal bracket and remove the original link pipe and stock gasket metal collar (Figure 20, 21, 22).



Figure 15



Figure 16



Figure 17

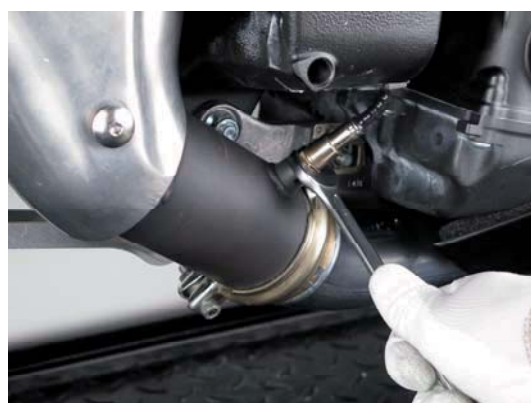


Figure 18



Figure 19



Figure 20



Figure 21



Figure 22

**INSTALLATION OF THE AKRAPOVIC SLIP-ON EXHAUST SYSTEM:**

1. **For optional Y link pipe only:** reposition the original link pipe bracket to the Akrapovic optional link pipe using stock bolt and spacer; tighten the bolt to a specified torque (**Figure 23, 24**). Reposition the original aluminium heat shield to the Akrapovic optional link pipe using original spacers and Akrapovic 12mm bolts; tighten the bolts to a specified torque (**Figure 25, 26, 27**). Coat the bolt and interior of metal clamp with Akrapovic anti-seize lead-free copper paste (black tube) and correctly install the metal clamp onto the link pipe (**Figure 28**).



Figure 23

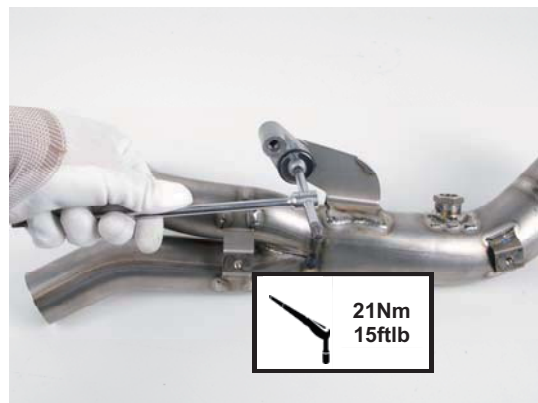


Figure 24



Figure 25



Figure 26

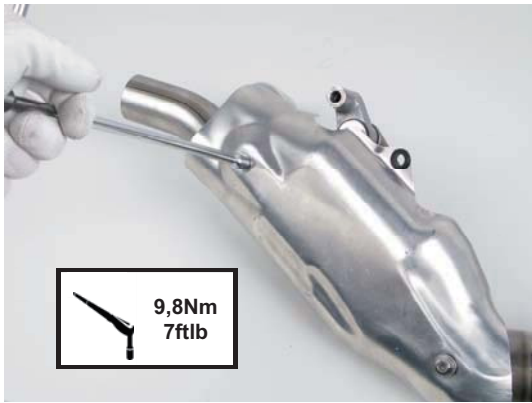


Figure 27



Figure 28

2. **For optional Y link pipe only:** redirect the lambda electrical lead (as shown in figure) to enable correct installation of the sensor into Akrapovic link pipe. **WARNING: make sure that electrical lead of the lambda sensor does not touch hot or moving parts of the motorcycle!** (Figure 29). Tighten the lambda sensor; make sure not to damage the electrical lead during this process. **WARNING: grease only the threads of the lambda sensor with Akrapovic anti-seize lead-free copper paste (black tube)!** (Figure 30).

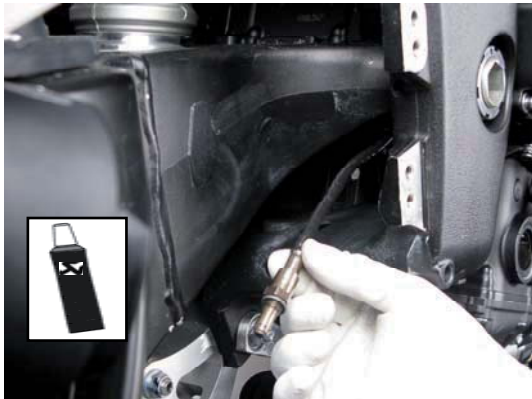


Figure 29



Figure 30

3. **For optional Y link pipe only:** slide the optional link pipe onto the original header tube and tighten the link pipe stock bracket using stock bolt to a specified torque (Figure 31, 32, 33). Tighten the metal clamp (Tightening torque: 9,8NM / 7ftlb). Make sure the link pipe is not touching the frame and other parts.



Figure 31



Figure 32

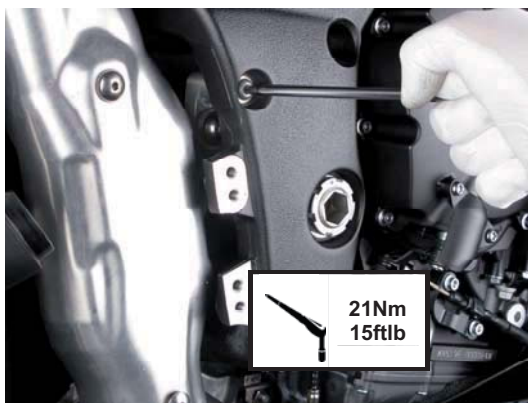


Figure 33

4. **For optional Y link pipe only:** replace the rider's footrest bracket, brake line and reconnect the rear brake stop switch in the reverse order from the order in which they were removed (Figure 34, 35).

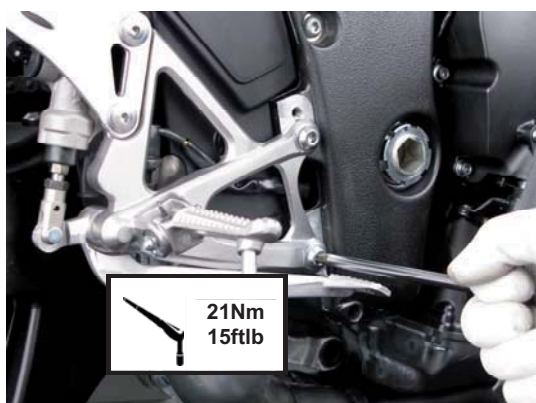


Figure 34



Figure 35

5. Coat the bolts and interior of metal clamps with Akrapovic anti-seize lead-free copper paste (black tube) and correctly install the metal clamps onto the link pipes (Figure 36). Correctly position and install the Akrapovic carbon-fiber heat shield onto the link pipes; make sure the heat / distance washers are correctly installed (Figure 37, 38, 39).



Figure 36



Figure 37





Figure 38



Figure 39

6. Correctly position the carbon-fiber clamps and slide them onto the mufflers as seen in the figures. **WARNING: open the clamp slightly wider than the diameter of the outer sleeve of the muffler – do not scrape it along the muffler outer sleeve! (Figure 40, 41).**



Figure 40



Figure 41

7. Remove the stock metal collar and insert the additional Akrapovic aluminium muffler bracket to the chassis hanging bracket – use the bolt and washer supplied in the Akrapovic kit. Do not fully tighten. Make sure the additional parts from the Akrapovic kit are correctly installed (Figure 42, 43, 44). Perform the process on both sides of the motorcycle.



Figure 42



Figure 43



Figure 44

8. Position the mufflers correctly and slide them onto the outlet side of the link pipes. Hand tighten the muffler clamps to Akrapovic aluminium muffler bracket using Akrapovic bolts and washers (fi 15mm). Align the mufflers in respect to the motorcycle and tighten the bolts of the Akrapovic muffler clamps, muffler brackets and metal clamps. (Figure 45, 46, 47, 48, 49). Make sure the link pipes or mufflers are not touching the frame and other parts.



Figure 45



Figure 46



Figure 47



Figure 48

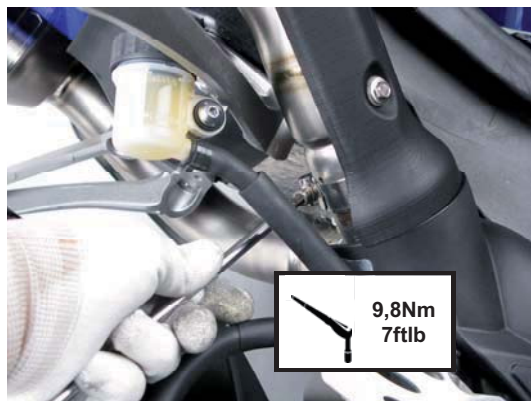


Figure 49

9. Assemble the seat cowling in the reverse order from the order in which it was removed. (Figure 50, 51, 52, 53).

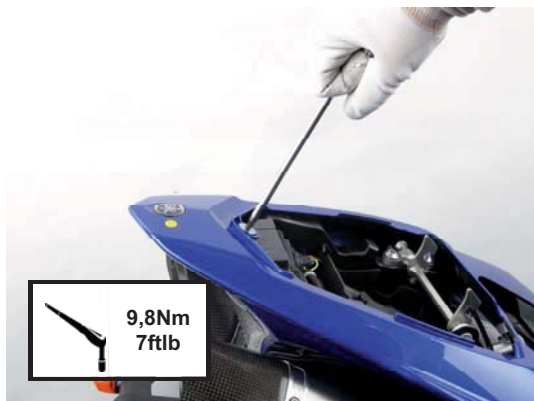


Figure 50



Figure 51



Figure 52



Figure 53

#### Final installation:

1. Clean grease spots:
  - a. Muffler – carbon-fiber outer sleeve: use a soft dry cloth.
  - b. Muffler – titanium outer sleeve: use a soft cloth sprayed with a multi-purpose spray lubricant (WD-40 or equivalent).
  - c. Muffler – carbon-fiber outlet cap: use a soft dry cloth.
  - d. Titanium optional link pipe: use a soft cloth sprayed with a multi-purpose spray lubricant (WD-40 or equivalent).
  - e. Titanium inlet cap and welded link pipes: use a soft cloth sprayed with a multi-purpose spray lubricant (WD-40 or equivalent).

Cleaning will prevent spots from burning onto the surface. Do not use aggressive chemical cleaners, because they can damage the stickers.

Position of the correctly installed Akrapovic **SLIP-ON** system (Figure 54).



Figure 54

2. Check the operation of the brakes and suspension. Make sure all the bolts are sufficiently tightened. In case the exhaust system touches the cowling or other parts repeat the adjustment of the exhaust system or contact your authorized dealer.

**! IT IS NORMAL IF WHITE SMOKE COMES OUT OF THE MUFFLER ON FIRST OPERATION.**

**! DO NOT STAND BEHIND THE MUFFLER ON FIRST OPERATION.**

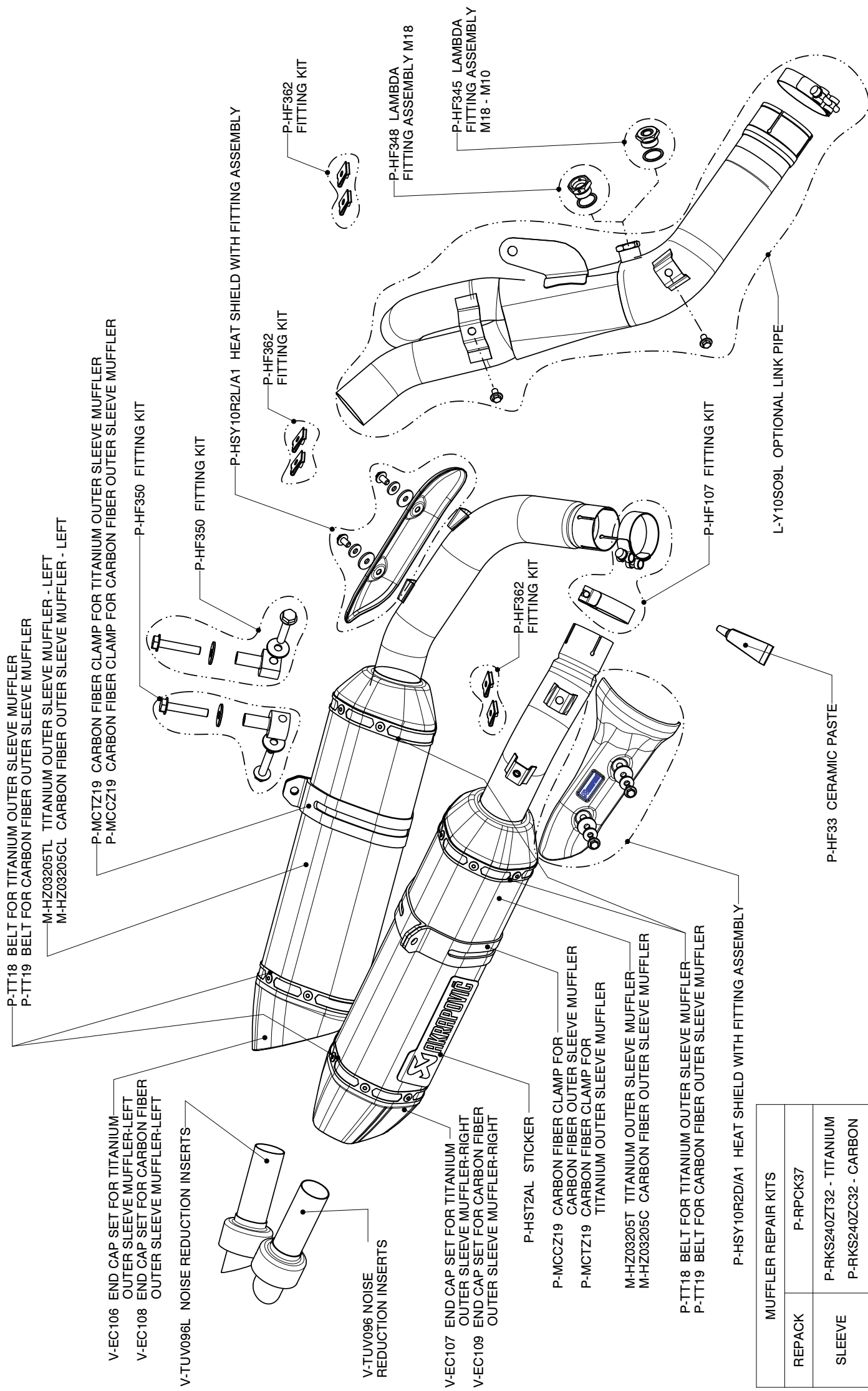
**! DO NOT USE AUTOMOTIVE WHEEL CLEANERS OR ANY CLEANING PRODUCTS WHICH CONTAIN ACIDIC ADDITIVES TO CLEAN AKRAPOVIC EXHAUST SYSTEMS.**

#### **MAINTENANCE OF THE AKRAPOVIC EXHAUST SYSTEM:**

1. Clean the titanium exhaust components with a multi-purpose spray lubricant (WD-40 or equivalent), carbon fiber exhaust components with soft and dry cloth and stainless steel components with soft cloth sprayed with contact cleaner, then wipe with soft and dry cloth. Do not use aggressive chemical cleaners, because they can damage the sticker. A change in the color of the exhaust system is normal due to the high temperatures.
2. The wearing out of the muffler silencing material depends on the type of the engine and riding style. Contact your dealer/serviceman if visible changes appear on muffler's outer sleeve or the noise level is increased.
3. Periodically make sure all the bolts and springs are sufficiently tight.

# YAMAHA YZF R1, SLIP-ON exhaust system / Street legal

Product code: S-Y10SO9-HZC  
S-Y10SO9-HZT



P-TT18 BELT FOR TITANIUM OUTER SLEEVE MUFFLER  
P-TT19 BELT FOR CARBON FIBER OUTER SLEEVE MUFFLER

M-HZ03205TL TITANIUM OUTER SLEEVE MUFFLER - LEFT  
M-HZ03205CL CARBON FIBER OUTER SLEEVE MUFFLER - LEFT

P-MCTZ19 CARBON FIBER CLAMP FOR TITANIUM OUTER SLEEVE MUFFLER  
P-MCCZ19 CARBON FIBER CLAMP FOR CARBON FIBER OUTER SLEEVE MUFFLER

P-HF350 FITTING KIT

P-HF350 FITTING KIT

P-HSY10R2L/A1 HEAT SHIELD WITH FITTING ASSEMBLY

P-HF362 FITTING KIT

P-HF362 FITTING KIT

V-TUV096L NOISE REDUCTION INSERTS

V-EC106 END CAP SET FOR TITANIUM OUTER SLEEVE MUFFLER-LEFT  
V-EC108 END CAP SET FOR CARBON FIBER OUTER SLEEVE MUFFLER-LEFT

P-HST2AL STICKER

P-MCCZ19 CARBON FIBER CLAMP FOR CARBON FIBER OUTER SLEEVE MUFFLER  
P-MCTZ19 CARBON FIBER CLAMP FOR TITANIUM OUTER SLEEVE MUFFLER

M-HZ03205T TITANIUM OUTER SLEEVE MUFFLER  
M-HZ03205C CARBON FIBER OUTER SLEEVE MUFFLER

P-TT18 BELT FOR TITANIUM OUTER SLEEVE MUFFLER  
P-TT19 BELT FOR CARBON FIBER OUTER SLEEVE MUFFLER

P-HSY10R2D/A1 HEAT SHIELD WITH FITTING ASSEMBLY

MUFFLER REPAIR KITS

REPACK P-RPCK37

SLEEVE P-RKS240ZT32 - TITANIUM  
P-RKS240ZC32 - CARBON

L-Y10SO9L OPTIONAL LINK PIPE

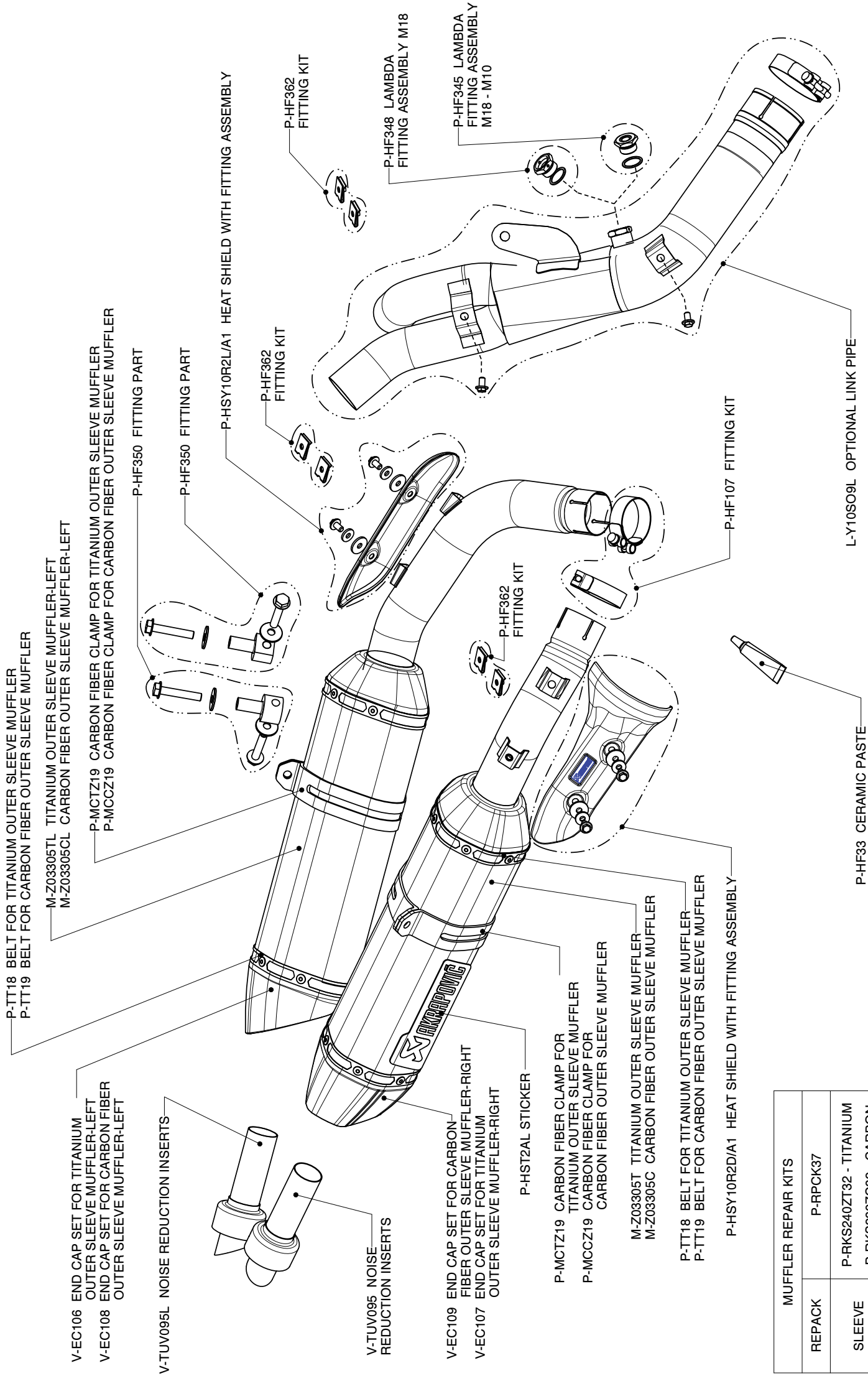
P-HF33 CERAMIC PASTE

P-HF348 LAMBDA FITTING ASSEMBLY M18

P-HF345 LAMBDA FITTING ASSEMBLY M18 - M10

# YAMAHA YZF R1, SLIP-ON exhaust system

## Product code: S-Y10SO9-ZC S-Y10SO9-ZT



P-TT18 BELT FOR TITANIUM OUTER SLEEVE MUFFLER  
P-TT19 BELT FOR CARBON FIBER OUTER SLEEVE MUFFLER

M-Z03305TL TITANIUM OUTER SLEEVE MUFFLER-LEFT  
M-Z03305CL CARBON FIBER OUTER SLEEVE MUFFLER-LEFT

P-MCTZ19 CARBON FIBER CLAMP FOR TITANIUM OUTER SLEEVE MUFFLER  
P-MCCZ19 CARBON FIBER CLAMP FOR CARBON FIBER OUTER SLEEVE MUFFLER

V-EC106 END CAP SET FOR TITANIUM OUTER SLEEVE MUFFLER-LEFT  
V-EC108 END CAP SET FOR CARBON FIBER OUTER SLEEVE MUFFLER-LEFT

V-TUV095L NOISE REDUCTION INSERTS

P-HF350 FITTING PART  
P-HF350 FITTING PART

P-HSY10R2L/A1 HEAT SHIELD WITH FITTING ASSEMBLY  
P-HF362 FITTING KIT  
P-HF362 FITTING KIT

V-TUV095 NOISE REDUCTION INSERTS

V-EC109 END CAP SET FOR CARBON FIBER OUTER SLEEVE MUFFLER-RIGHT  
V-EC107 END CAP SET FOR TITANIUM OUTER SLEEVE MUFFLER-RIGHT

P-HST2AL STICKER

P-MCTZ19 CARBON FIBER CLAMP FOR TITANIUM OUTER SLEEVE MUFFLER  
P-MCCZ19 CARBON FIBER CLAMP FOR CARBON FIBER OUTER SLEEVE MUFFLER

M-Z03305T TITANIUM OUTER SLEEVE MUFFLER  
M-Z03305C CARBON FIBER OUTER SLEEVE MUFFLER

P-TT18 BELT FOR TITANIUM OUTER SLEEVE MUFFLER  
P-TT19 BELT FOR CARBON FIBER OUTER SLEEVE MUFFLER

P-HSY10R2D/A1 HEAT SHIELD WITH FITTING ASSEMBLY

P-HF107 FITTING KIT

P-HF348 LAMBDA FITTING ASSEMBLY M18  
P-HF345 LAMBDA FITTING ASSEMBLY M18 - M10

L-Y10SO9L OPTIONAL LINK PIPE

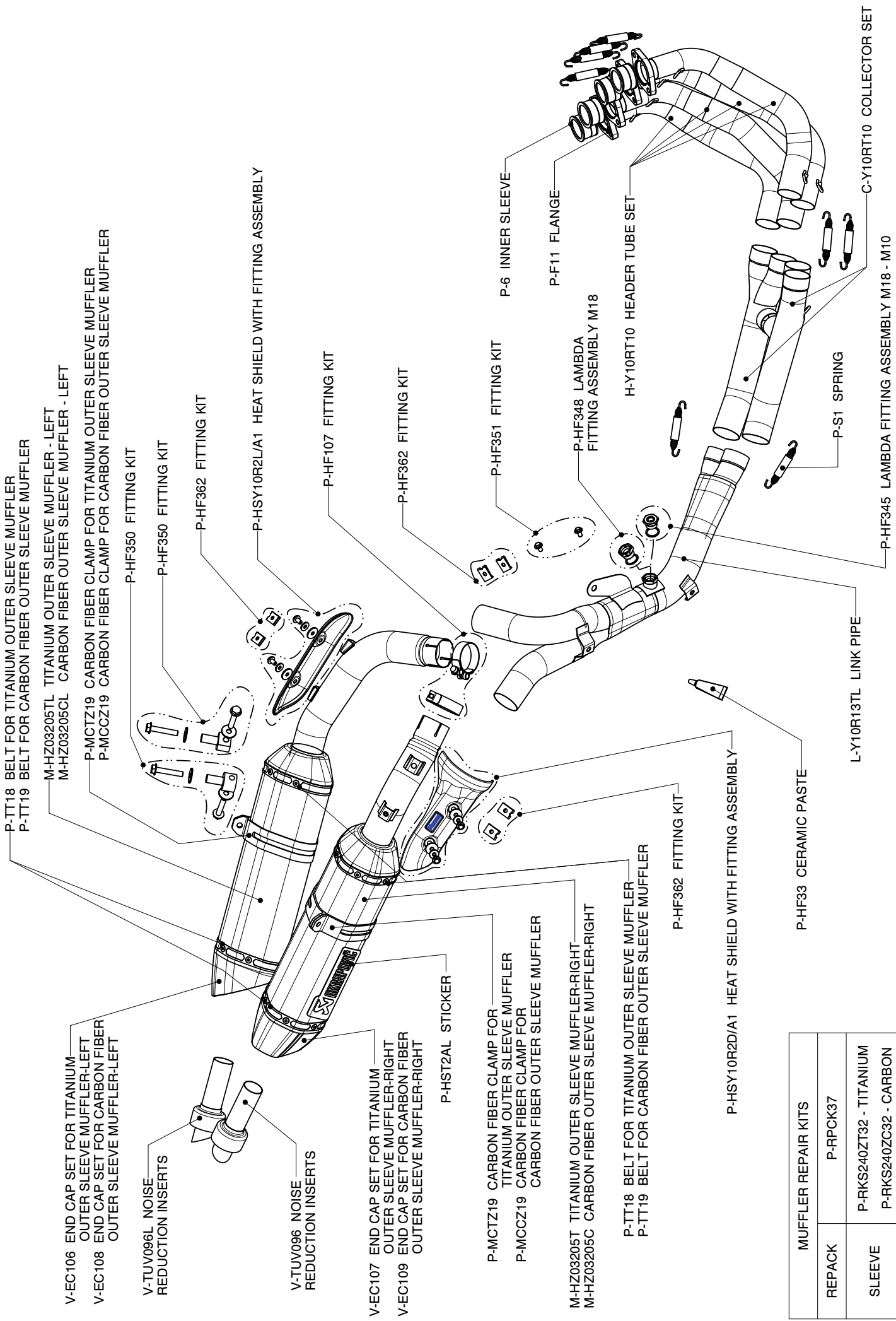
P-HF33 CERAMIC PASTE

MUFFLER REPAIR KITS	
REPACK	P-RPCK37
SLEEVE	P-RKS240ZT32 - TITANIUM P-RKS239ZC32 - CARBON

# YAMAHA YZF R1/ Complete exhaust system, Evolution line tube set with street legal Slip-on muffler

**Product code: S-Y10RFT10-ZT/1  
S-Y10RFT10-ZC/1**

**WARNING! IN CASE OF COMBINATION WITH EVOLUTION TUBE SET, THE SLIP-ON HOMOLOGATION IS NOT VALID!**



MUFFLER REPAIR KITS	
REPACK	P-RPCK37
SLEEVE	P-RKS240ZT32 - TITANIUM
	P-RKS240ZC32 - CARBON