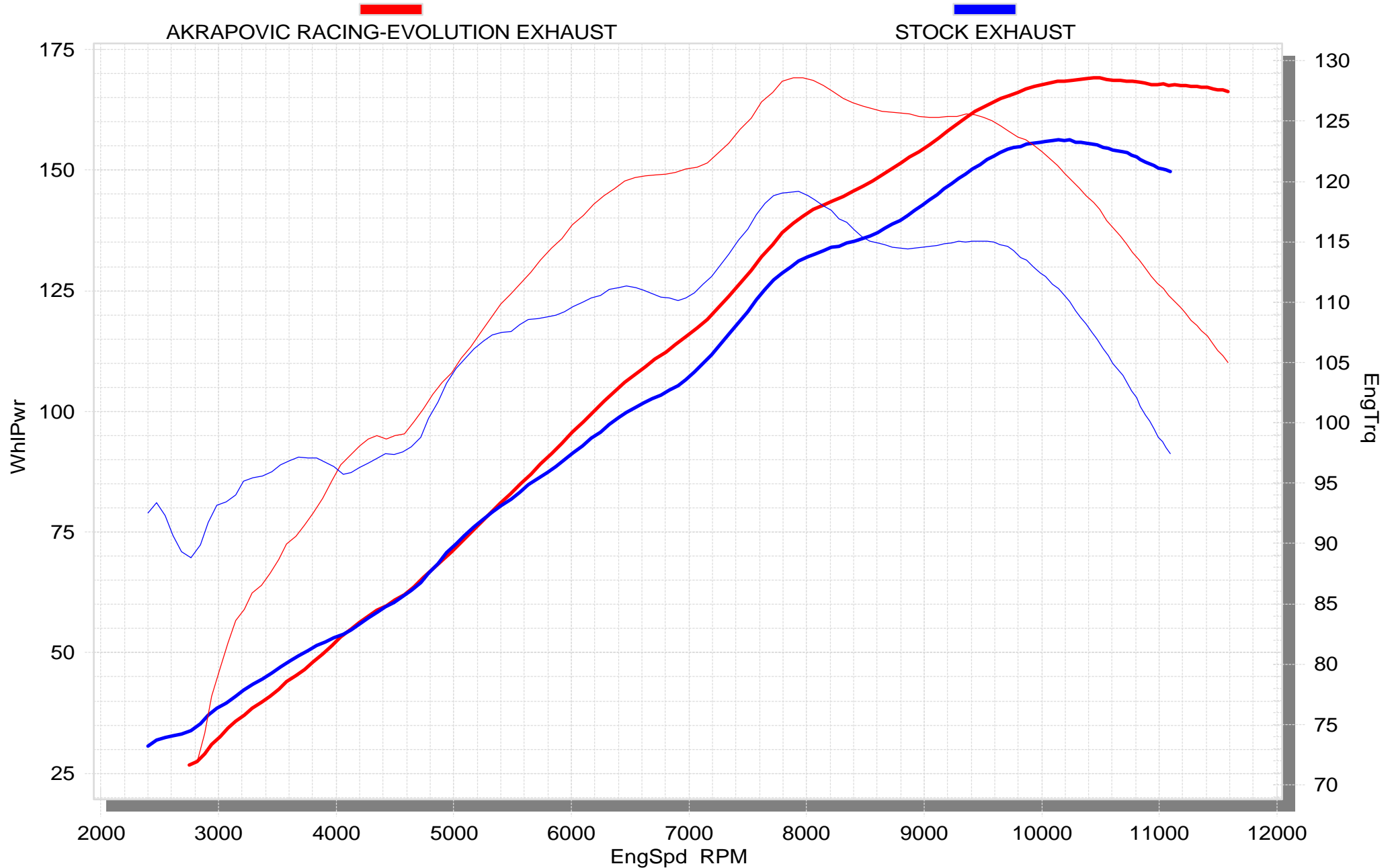




# KAWASAKI ZX12R 2002



AKRAPOVIC RACING-EVOLUTION EXHAUST

STOCK EXHAUST

## KAWASAKI ZX-12R (2000-2005) AKRAPOVIC RACING & EVOLUTION LINE

Speed? Definitely a relative concept. Some people think 50 km/h is fast, some 100 or 200 km/h, and some people just don't think below 300 is fast enough. A final speed of over 300 km/h has become a reality available to the street rider and not just to racers. And members of the "two-wheel 300" club have just got a new toy. It's called the Kawasaki ZX 12R. A recreational bike which gives space and time new dimensions.

### GOAL

Developing an aftermarket component like an exhaust system for a stock bike which is so well turned out is no easy task. But since we believe in our ability, we took on the special challenge of the newest, fastest, most powerful bike in the Kawasaki line, the ZX 12R. We have developed RACING and EVOLUTION exhaust systems with which we have managed to improve the performance of these two-wheeled rockets even further.

### ABOUT AKRAPOVIC RACING & EVOLUTION SYSTEMS

Akrapovic exhaust systems are top-quality products well worth taking a look at. It is a special aesthetic pleasure to cast one's eyes over the flawlessly bent tubing, and your pupils will expand even further when you look at the masterful welds which join the conical elements of our exhaust. That's right, both systems are made of conical elements. Also, we find that it is occasionally necessary to install interference crossover tubes between the header tubes. Based on testing carried out by our development department on the prototype exhaust for the ZX 12R, it was shown that the installation of such tubes is exceptionally beneficial and therefore mandatory.

The EVOLUTION and RACING systems differ only in the tubing material; their construction is identical. The EVOLUTION system is made of titanium tubing, while the RACING system is made of high-quality stainless steel. The difference in the material is reflected only in the weight of the systems. In the case of the EVOLUTION system the weight savings, due to the use of exotic titanium, are some 6.90 kg, i.e. more than half in comparison to the stock system.

The main components of both Akrapovic systems are set up in a 4-1-1 configuration, connected with free-floating joints held together with high-quality silicon shielded tensioning springs. The muffler is held onto the frame, i.e. to the stock chassis hanging bracket, with a carbon-fiber clamp, which guarantees all the necessary compactness for hanging the back end of the Akrapovic exhaust system.

The muffler for both systems is the familiar Akrapovic oval, while the muffler outer sleeve is available in either black carbon-fiber or the elegant sheen of titanium, depending on your choice. The mufflers differ only in their aesthetic affect; the other characteristics remain the same (tone of the sound, performance). If you install an Akrapovic exhaust system you can expect a much more penetrating exhaust note from the engine of your Kawasaki. And if you crank your baby up to top speed, the sweet melody of the 12R may be the only thing that anyone you pass by is going to notice.

### NOTE:

- both systems were developed on stock set-up bikes (frame and engine), and do not require any further modifications
- the systems do not include a fitting for attaching a lambda sensor.

### Measured performance of Akrapovic RACING and EVOLUTION systems on the Kawasaki ZX 12R:

#### POWER

increased performance especially at the top of the rpm range is a characteristic of our top model exhaust systems. This can be seen with a glance at the power curve, where the power up to 4000 rpm is actually lower than the stock curve. From 4000 to 5400 rpm they follow each other, but from 5400 rpm on the ZX 12R experiences a true explosion of power with the Akrapovic exhaust system. The huge increase continues right to the top of the rpm range, where the stock curve starts to fade at 10250 rpm, while with our exhaust system the power band is extended to 11000 rpm, where the max. increased power reaches 17.4 HP.

#### TORQUE

the situation is similar with the torque curve. Below the stock curve up to 4000 rpm, to 5400 rpm identical, and from then on the stock torque is a far cry from the torque you get with our exhaust system. The increase is huge, in fact just as large as the increase in power, which indicates the effective tuning of the configuration of the system. The increase in the width of the torque band is also important, as it increases the range over which the torque can be used.

---

Owners of street rockets are used to brutal acceleration and dizzying top speeds. Speed is the main thing, and they always want more. In the search for improvement of the engine characteristics, installing an Akrapovic EVOLUTION or RACING

exhaust system is one of several options available. If you purchase an EVOLUTION or RACING exhaust, you will receive the same attention which is given to world-class racing teams, since these lines are developed by the same team of pros with the same development criteria and potentials. The stock performance of the Kawasaki ZX 12R will be a thing of the past.

[Exclusion of Certain Liability](#)

#### AVAILABLE COMPLETE EXHAUST SYSTEM OPTIONS:

##### Racing line

- stainless steel link pipe:

PRODUCT CODE:	DESCRIPTION:		
<b>S-K12R1-C</b>	<b>KA ZX-12R</b> , 00-05; COMPLETE EXHAUST SYSTEM Racing 4-1 headers & M-TCE1 titanium/carbon muffler & clamp C8		
<b>S-K12R1-T</b>	<b>KA ZX-12R</b> , 00-05 ;COMPLETE EXHAUST SYSTEM Racing 4-1 headers & M-TTE1 full titanium muffler & clamp T8		
<b>TECHNICAL DATA</b>	stock	akrapovic	difference
weight measurments	11.2 kg	5.3 kg	5.9 kg
power measurments	156 HP / 10250 rpm	169.1 HP / 10500 rpm	17.4 HP / 11000 rpm*
noise mesurments	96 db / 5250 rpm	102 db / 5250 rpm	6 db / 5250 rpm
legal for street use	NO		

- titanium link pipe:

PRODUCT CODE:	DESCRIPTION:		
<b>S-K12R1T-C</b>	<b>KA ZX-12R</b> , 00-05 ; COMPLETE EXHAUST SYSTEM Racing 4-1 headers & titanium link pipe; & M-TCE1 titanium/carbon muffler & clamp C8		
<b>S-K12R1T-T</b>	<b>KA ZX-12R</b> , 00-05 ; COMPLETE EXHAUST SYSTEM Racing 4-1 headers & titanium link pipe; & M-TTE1 full titanium muffler & clamp T8		
<b>TECHNICAL DATA</b>	stock	akrapovic	difference
weight measurments	11.2 kg	4.98 kg	6.22 kg
power measurments	156 HP / 10250 rpm	169.1 HP / 10500 rpm	17.4 HP / 11000 rpm*
noise mesurments	96 db / 5250 rpm	102 db / 5250 rpm	6 db / 5250 rpm
legal for street use	NO		

\*MAXIMUM MEASURED POWER DIFFERENCE

[more about Racing line](#)

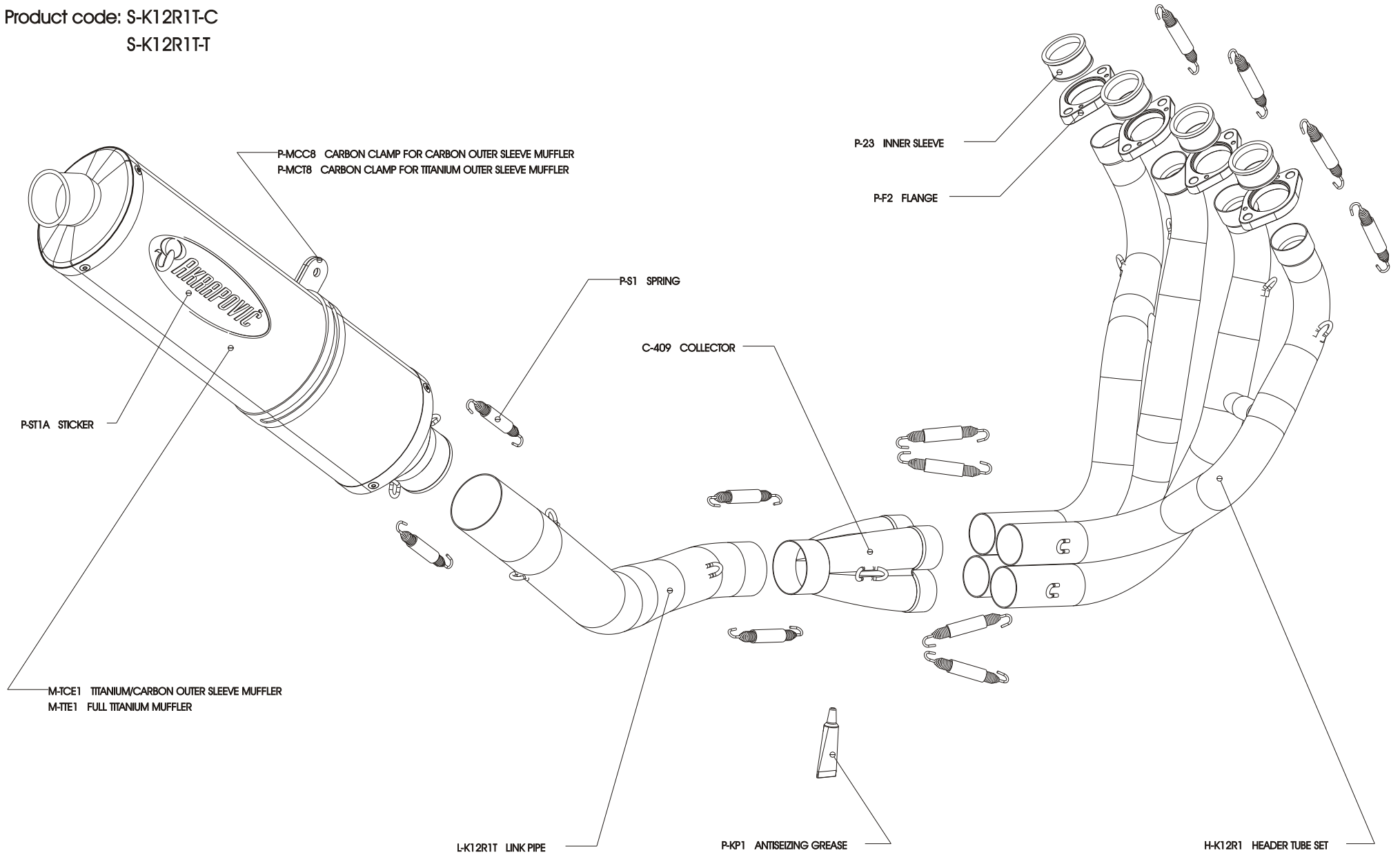
For any price information please contact your local [dealer / importer](#).

##### Evolution line:

PRODUCT CODE:	DESCRIPTION:		
<b>S-K12RFT1T-C</b>	<b>KA ZX-12R</b> , 00-04 ; COMPLETE EXHAUST SYSTEM Racing 4-1 titanium conical headers dia 35/40 with 1× interference crossover tube between 1-2/3-4; Titanium collector 4×40/52; Titanium link pipe dia 52/60; & M-TCE1 titanium/carbon muffler & clamp C8		
<b>S-K12RFT1T-T</b>	<b>KA ZX-12R</b> , 00-04 ; COMPLETE EXHAUST SYSTEM Racing 4-1 titanium conical headers dia 35/40 with 1× interference crossover tube between 1-2/3-4; Titanium collector 4×40/52; Titanium link pipe dia 52/60; & M-TTE1 full titanium muffler & clamp T8		
<b>TECHNICAL DATA</b>	stock	akrapovic	difference
weight measurments	11.2 kg	4.3 kg	6.9 kg
power measurments	156 HP / 10250 rpm	169.1 HP / 10500 rpm	17.4 HP / 11000 rpm*
noise mesurments	96 db / 5250 rpm	102 db / 5250 rpm	6 db / 5250 rpm

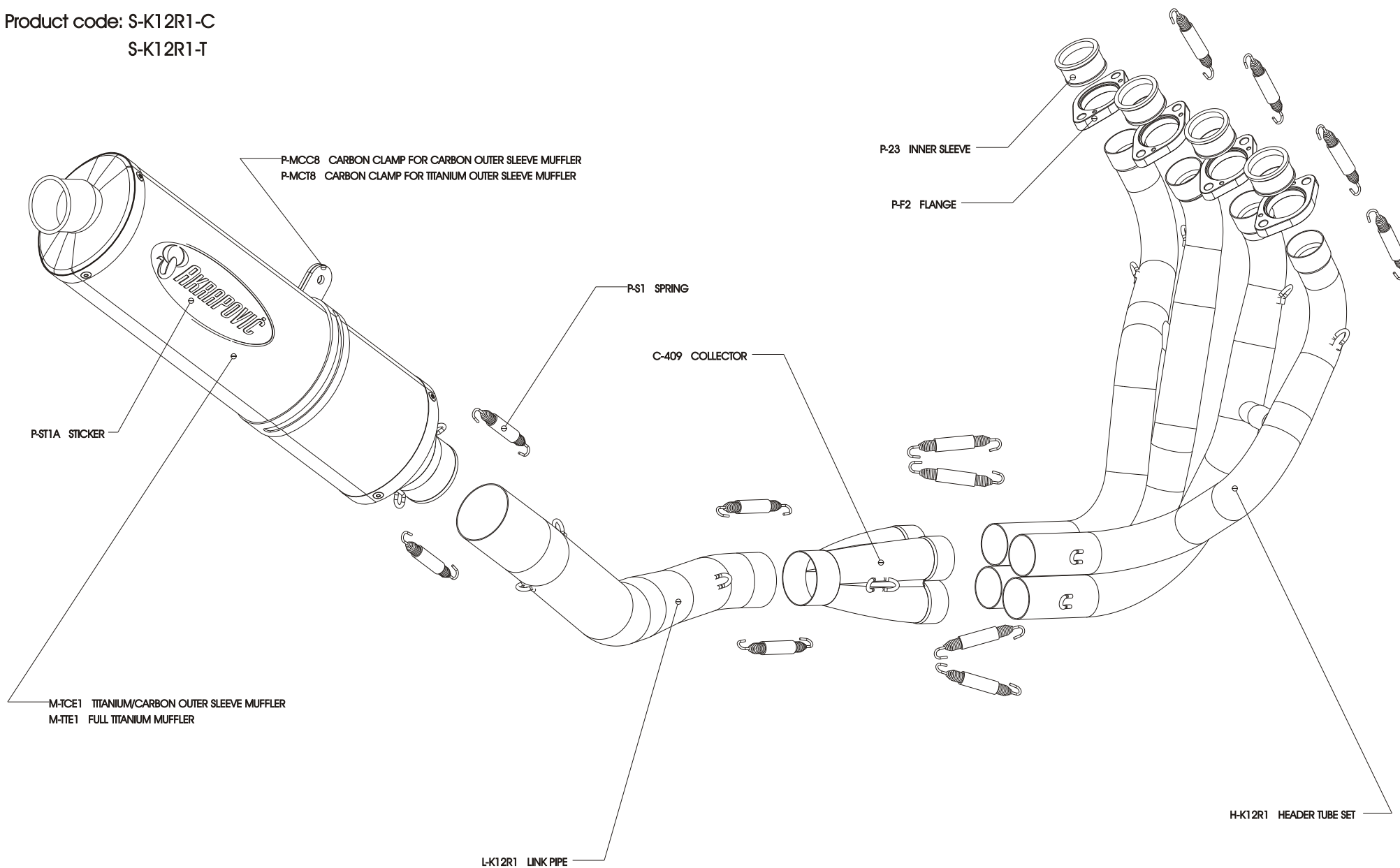
KAWASAKI ZX-12R Complete exhaust system/Racing line, model year: 2000, 2001, 2002

Product code: S-K12R1T-C  
S-K12R1T-T



KAWASAKI ZX-12R Complete exhaust system/Racing line, model year: 2000, 2001, 2002

Product code: S-K12R1-C  
S-K12R1-T



KAWASAKI ZX-12R Complete exhaust system/Evolution line, model year: 2000, 2001, 2002

Product code: S-K12RFT1T-C  
S-K12RFT1T-T

