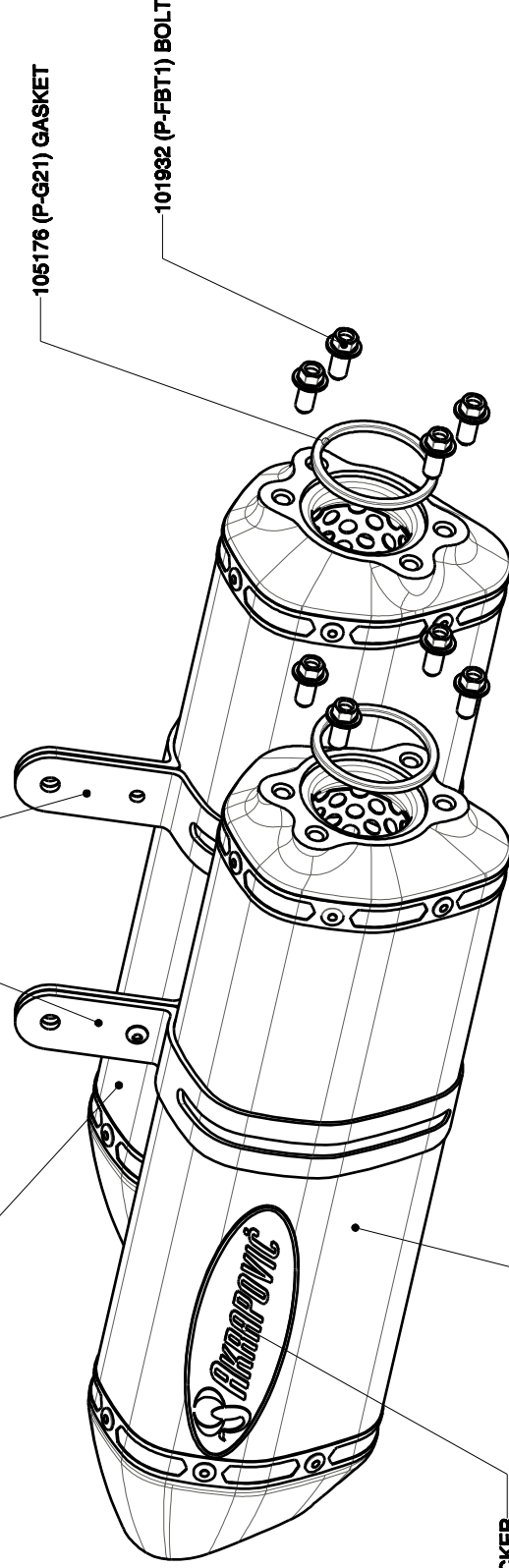


Kawasaki ZX-10R, model year: 2006, bolt-on exhaust system, OPEN

Product code: 105180 (S-K10BO1-ZC)
105179 (S-K10BO1-ZT)

105060 (P-MCTZ2) CARBON MUFFLER CLAMP FOR TITANIUM OUTER SLEEVE MUFFLER
105061 (P-MCCZ2) CARBON FIBER MUFFLER CLAMP FOR CARBON FIBER OUTER SLEEVE MUFFLER

105359 (M-Z00208TL) TITANIUM MUFFLER LEFT
105361 (M-Z00208CL) CARBON-FIBER MUFFLER LEFT



101986 (P-LT1) BOLT SEALANT